



## FEATURES

- iProbe Temperature Sensors
- Temperature Accuracy of  $\pm 0.007^{\circ}\text{C}$  ( $0^{\circ}\text{C}$ - $50^{\circ}\text{C}$ ),  $\pm 0.0005$  (T-25) elsewhere
- Enhanced Emissivity  $> 0.970$ , ( $2\ \mu$  to  $14\ \mu$ )
- Uniformity  $\pm 1\%$  of set  $\Delta T$  or  $0.01^{\circ}\text{C}$ , whichever is greater
- $0.001^{\circ}\text{C}$  Temperature Stability
- Ethernet, GPIB and RS-232 Interfaces
- $-40^{\circ}\text{C}$  to  $175^{\circ}\text{C}$  Absolute Temperature  
 $-20^{\circ}\text{C}$  to  $150^{\circ}\text{C}$   $\Delta$  Temperature Available
- 4", 6", 8", 12" Emitting Surface Size
- Automatic Radiometric Compensation
- Multi-Function Controller

## OVERVIEW

Santa Barbara Infrared's Infinity Series of Differential Blackbodies (DB Series) are designed to support the most critical testing requirements. The Infinity blackbodies offer the best performance available. Fast, stable, uniform, accurate and reliable- these blackbody systems provide performance enhancements and features that set them apart from previously available systems. A key feature is the new iProbe from SBIR. This intelligent temperature sensor is calibrated independently of the blackbody system. To re-calibrate the system you need only exchange the probe with a recently calibrated one. No special equipment is required thus minimizing downtime. Our blackbodies are designed for use as flood sources for non-uniformity correction or sensor calibration, and as differential sources for MRT, MTF, SiTF and other standard IR sensor characterization tests.

## AVAILABLE SIZES & TEMPERATURES

Model	Emitting Surface Size	Temp. Range A $0^{\circ}\text{C}$ to $100^{\circ}\text{C}$ Abs. T ( $-25^{\circ}\text{C}$ to $75^{\circ}\text{C}$ $\Delta T$ )	Temp. Range B $0^{\circ}\text{C}$ to $175^{\circ}\text{C}$ Abs. T ( $-25^{\circ}\text{C}$ to $150^{\circ}\text{C}$ $\Delta T$ )	Temp. Range C <sup>1</sup> $-40^{\circ}\text{C}$ to $100^{\circ}\text{C}$ Abs. T ( $-20^{\circ}\text{C}$ to $75^{\circ}\text{C}$ $\Delta T$ )	Temp. Range D <sup>1</sup> $-40^{\circ}\text{C}$ to $175^{\circ}\text{C}$ Abs. T ( $-20^{\circ}\text{C}$ to $150^{\circ}\text{C}$ $\Delta T$ )	Temp. Range E $0^{\circ}\text{C}$ to $80^{\circ}\text{C}$ Abs. T ( $-25^{\circ}\text{C}$ to $55^{\circ}\text{C}$ $\Delta T$ )
DB-04	4" x 4"	X	X	X	X	
DB-06	6" x 6"	X	X	X	X	
DB-08	8" x 8"	X	X	X	X	
DB-12	12" x 12"					X

## Solutions

for Every EO Test Requirement

30 S. Calle Cesar Chavez, Suite D • Santa Barbara, Ca. 93103  
ph (805) 965-3669 • fax (805) 963-3858 • <http://www.sbir.com>

**SYSTEM SPECIFICATIONS**

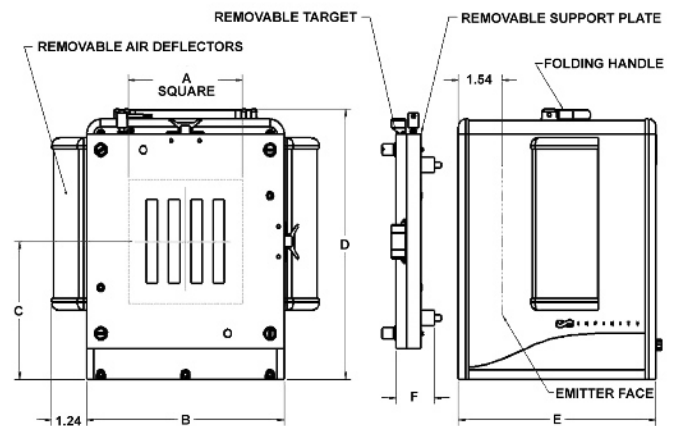
Emissivity.....	> 0.970, (2 μ to 14 μ)
Uniformity.....	±1.0% of set ΔT or 0.01°C, whichever is greater
Absolute Accuracy.....	±0.007°C for (0°C <T< 50°C) or ±0.0005 (T-25) elsewhere
Differential Accuracy.....	± √ [(T1 error) <sup>2</sup> +(T2 error) <sup>2</sup> ] where error is ±0.007°C for 0°C <T< 50°C and ± (T-25)(0.0005) elsewhere
Stability.....	σT ≤0.001°C (0°C to 50°C), σT ≤0.002°C (-40°C to 0°C, 50°C to 100°C), σT ≤0.003°C (110°C to 175°C)
Display Resolution.....	0.001°C or 0.0001°C
Setpoint Resolution.....	0.001°C
Selectable Ready Indicator.....	±0.001°C to ±5.000°C
Approximate Heating Rate <sup>2</sup> .....	+0.40°C/sec. (at 25°C)
Approximate Cooling Rate <sup>2</sup> .....	-0.20°C/sec. (at 25°C)
Settling Time.....	<45 seconds

**GENERAL SPECIFICATIONS**

Operating Temperature.....	0°C to 50°C
Storage Temperature.....	-20°C to 70°C
Relative Humidity.....	5% to 95%, non-condensing
Maximum Power Consumption.....	850W-1600W depending on size and temperature range
Approximate Blackbody Weight.....	DB-04 - 15.0 lbs., DB-06 - 25.0 lbs., DB-08 - 40.0 lbs., DB-12 - 50.0 lbs.
Approximate Controller Weight.....	15.0 lbs.

**DIMENSIONS**

Model	(inches)					
	A Aperture	B Width	C Optical Center Line	D Height	E Depth	F Tgt. Depth
DB-04	4.04	7.00	4.50	8.83	7.00	1.38
DB-06	6.04	9.00	5.50	10.83	7.00	1.38
DB-08	8.04	11.00	6.50	12.83	7.00	1.38
DB-12	12.04	15.00	8.50	17.95	7.00	1.38



**ORDER INFORMATION**

Please contact the SBIR sales team at (805) 965-3669 to ensure proper part number and to receive a quotation.

Notes: 1. For use in a thermal chamber from -20°C to -50°C  
2. Slow rates vary depending on blackbody size and environmental conditions

\* Specifications are subject to change without prior notice



**Solutions**

**for Every EO Test Requirement**

30 S. Calle Cesar Chavez, Suite D • Santa Barbara, Ca. 93103  
ph (805) 965-3669 • fax (805) 963-3858 • <http://www.sbir.com>