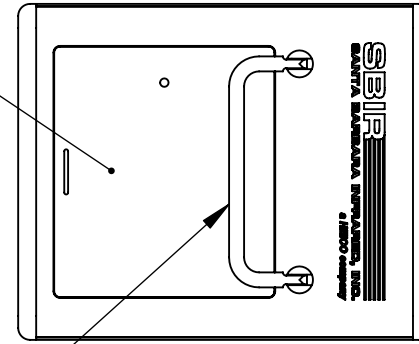


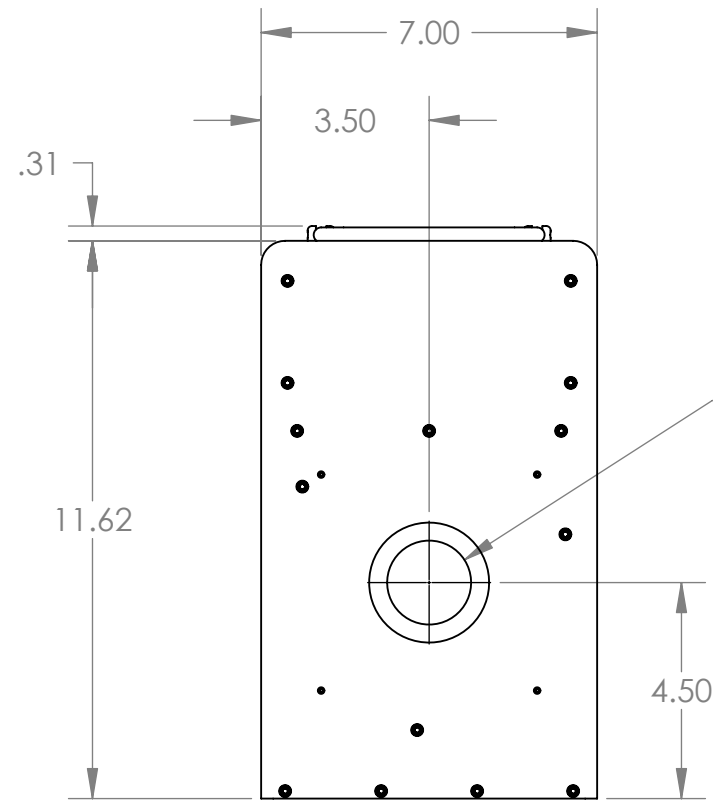
THIS DRAWING CONTAINS PROPRIETARY INFORMATION OF SANTA BARBARA INFRARED INC. (SBIR) AND MAY NOT BE USED FOR THE MANUFACTURE OF ANY PART DISCLOSED HEREIN, NOR DUPLICATED, NOR DISCLOSED TO ANYONE, WITHOUT THE PRIOR WRITTEN PERMISSION OF SBIR.

DRAWN	RELEASED	DATE	REVISED PER ECO	REV

LAMP ACCESS COVER

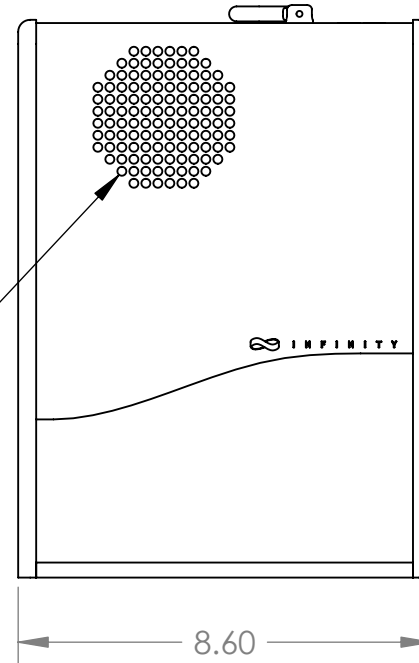


FOLDING HANDLE

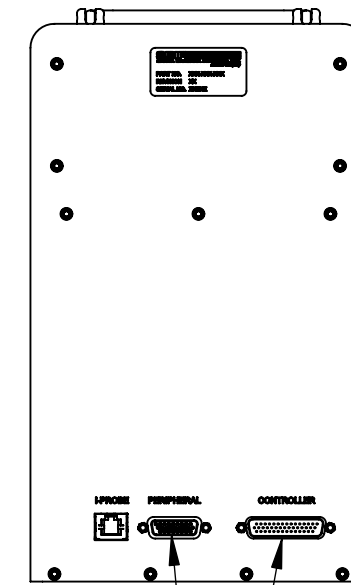


Ø1.75 APERTURE

AIR INTAKE THIS SIDE. (AIR EXHAUST FAR SIDE)

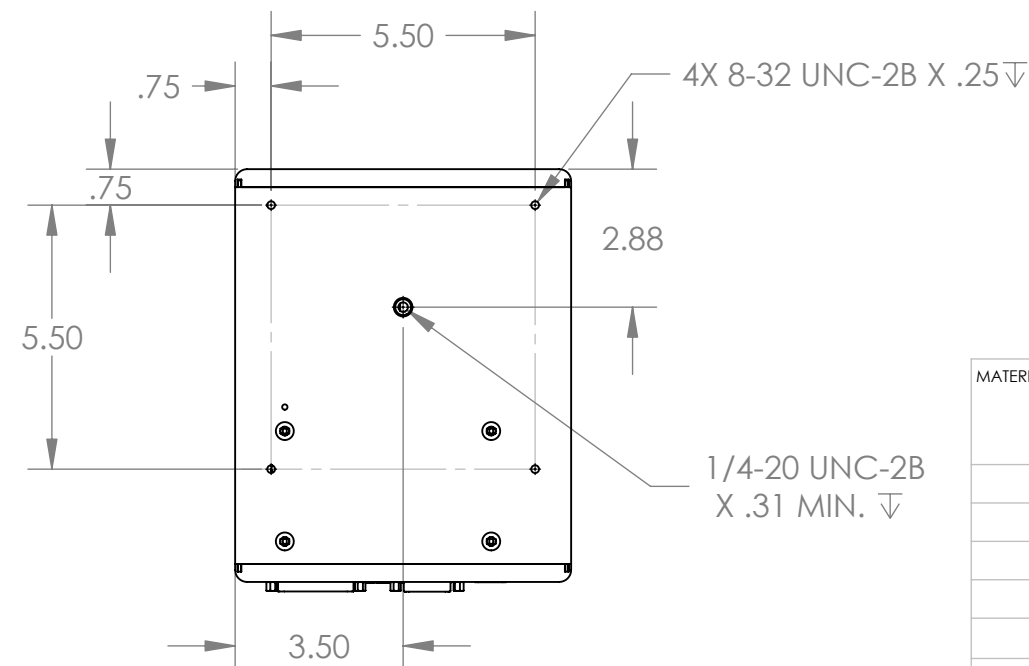


8.60



CONTROLLER CONNECTOR (44-PIN HD D-SUB)

PERIPHERAL CONNECTOR (26-SOCKET HD D-SUB)



MATERIAL	UNLESS OTHERWISE SPECIFIED DIMENSIONS ARE IN INCHES TOLERANCES ARE ±	DRAWN A DUERNER	DATE 8/8/08	<b>SBIR</b> SANTA BARBARA INFRARED, INC	
	.XX .01	CHECKED	DATE	MODEL	
	.XXX .005	RELEASED	DATE	TITLE	
	.XXXX .0005	RELEASED PER ECO NO. 047368		DOC, OUTLINE, 1.75 INCH INFINITY VIS SOURCE	
	FRAC. 1/16	SCALE 1:4	NUMBER 319-000-126	SHEET 1 OF 1	REV NC
	ANG. 1/2	APPLICATION			
NEXT ASSY	USED ON	DO NOT SCALE FROM DRAWING			