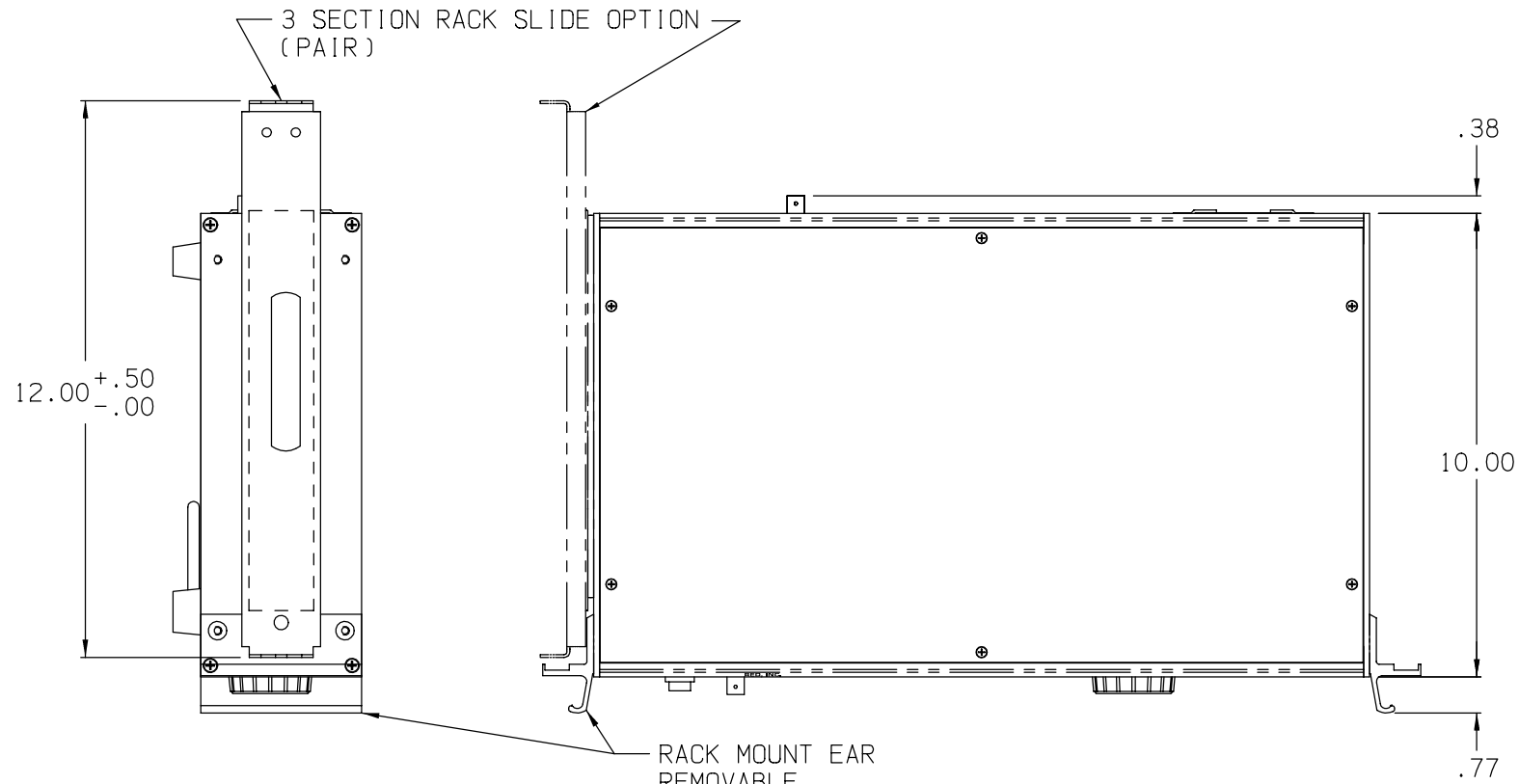


THIS DRAWING CONTAINS PROPRIETARY INFORMATION OF SANTA BARBARA INFRARED, INC. (SBIR) AND MAY NOT BE USED FOR THE MANUFACTURE OF ANY PART DISCLOSED HEREIN, NOR DUPLICATED, NOR DISCLOSED TO ANYONE, WITHOUT THE PRIOR WRITTEN PERMISSION OF SBIR.

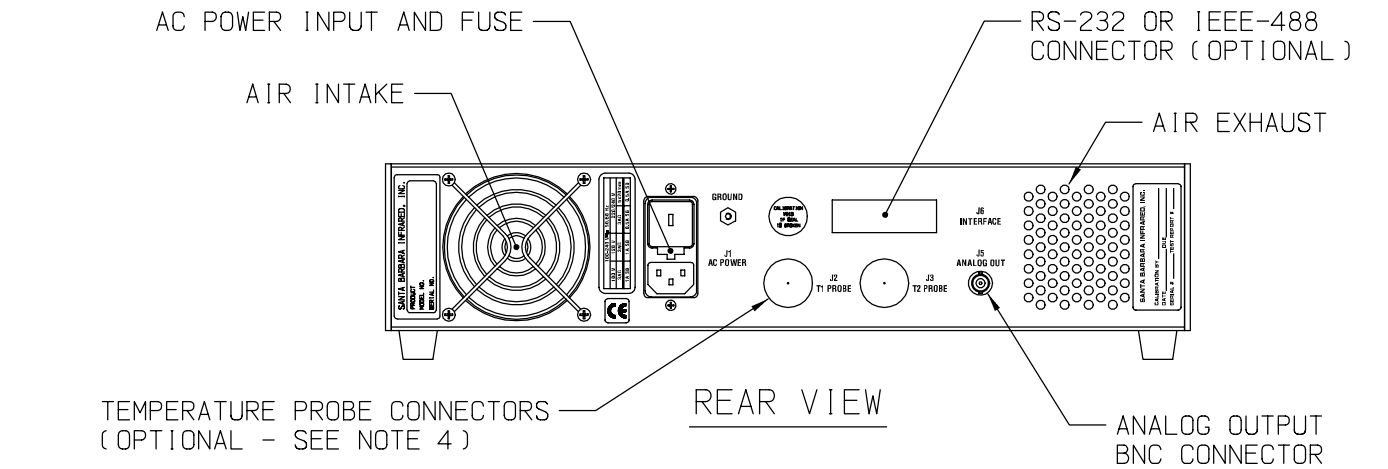
NOTES:

1. T1 AND T2 TEMPERATURE PROBES PROVIDED. STANDARD LENGTH IS 36 INCHES. EXTENSION CABLES AVAILABLE.
2. RACK MOUNT EARS AND AC POWER CORD PROVIDED.
3. RACK MOUNT SLIDE KIT IS OPTIONAL. EXTENSION BRACKETS AVAILABLE.
4. T1 AND T2 TEMPERATURE PROBE CONNECTORS ARE LOCATED ON FRONT PANEL (STANDARD), BUT CAN BE MOVED TO REAR PANEL (OPTIONAL).
5. APPROXIMATE WEIGHT: 11 LBS.



LEFT SIDE VIEW
RACK SLIDE OPTION SHOWN

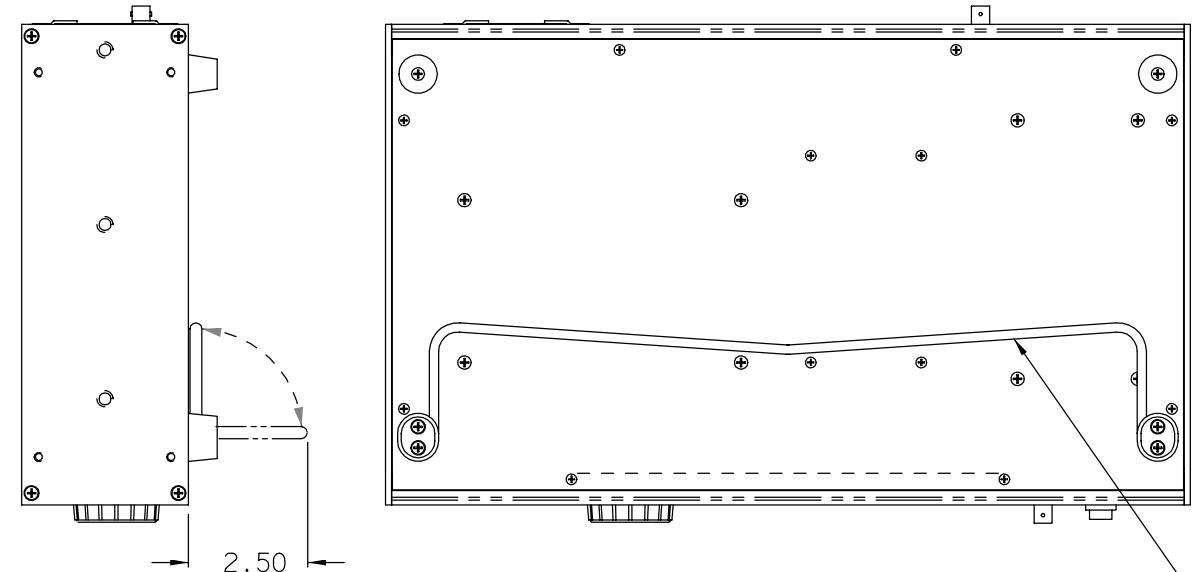
TOP VIEW



REAR VIEW
TEMPERATURE PROBE CONNECTORS
(OPTIONAL - SEE NOTE 4)

REAR VIEW

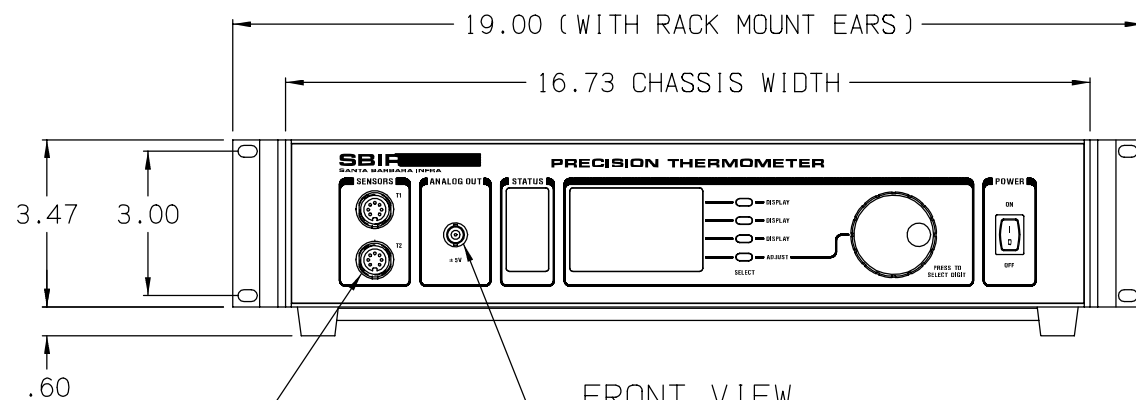
ANALOG OUTPUT
BNC CONNECTOR



RIGHT SIDE VIEW
RACK MOUNT EAR NOT SHOWN
RACK SLIDE OPTION NOT SHOWN

BOTTOM VIEW

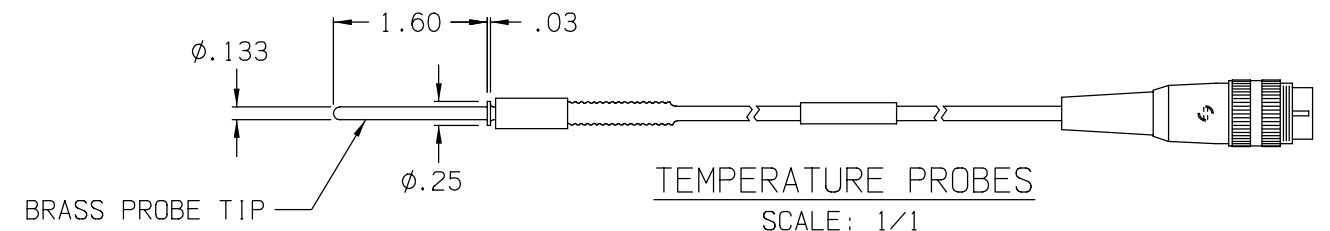
PLASTIC FEET AND TILT/BAIL
REMOVABLE FOR RACK INSTALLATION



FRONT VIEW

T1 AND T2 TEMPERATURE
PROBE CONNECTORS

ANALOG OUTPUT BNC CONNECTOR



BRASS PROBE TIP

TEMPERATURE PROBES
SCALE: 1/1

MATERIAL	UNLESS OTHERWISE SPECIFIED DIMENSIONS ARE IN INCHES TOLERANCES ARE ±	DRAWN D. MONK	DATE 4-03-98	 SANTA BARBARA INFRARED, INC.
	.XX .01	CHECKED R. JUNK	DATE 12-07-98	
	.XXX .005	RELEASED E. B.	DATE 12-07-98	
	.XXXX .0005	RELEASED PER ECC NO.	NONE	
	FRAC. 1/16	SCALE 1/2	NUMBER SK-524	
	ANG. 1/2°	DO NOT SCALE FROM DRAWING		
NEXT ASSY	USED ON	APPLICATION		

MODEL 104
TITLE PRECISION THERMOMETER
OUTLINE

SHEET 1 OF 1 REV NC