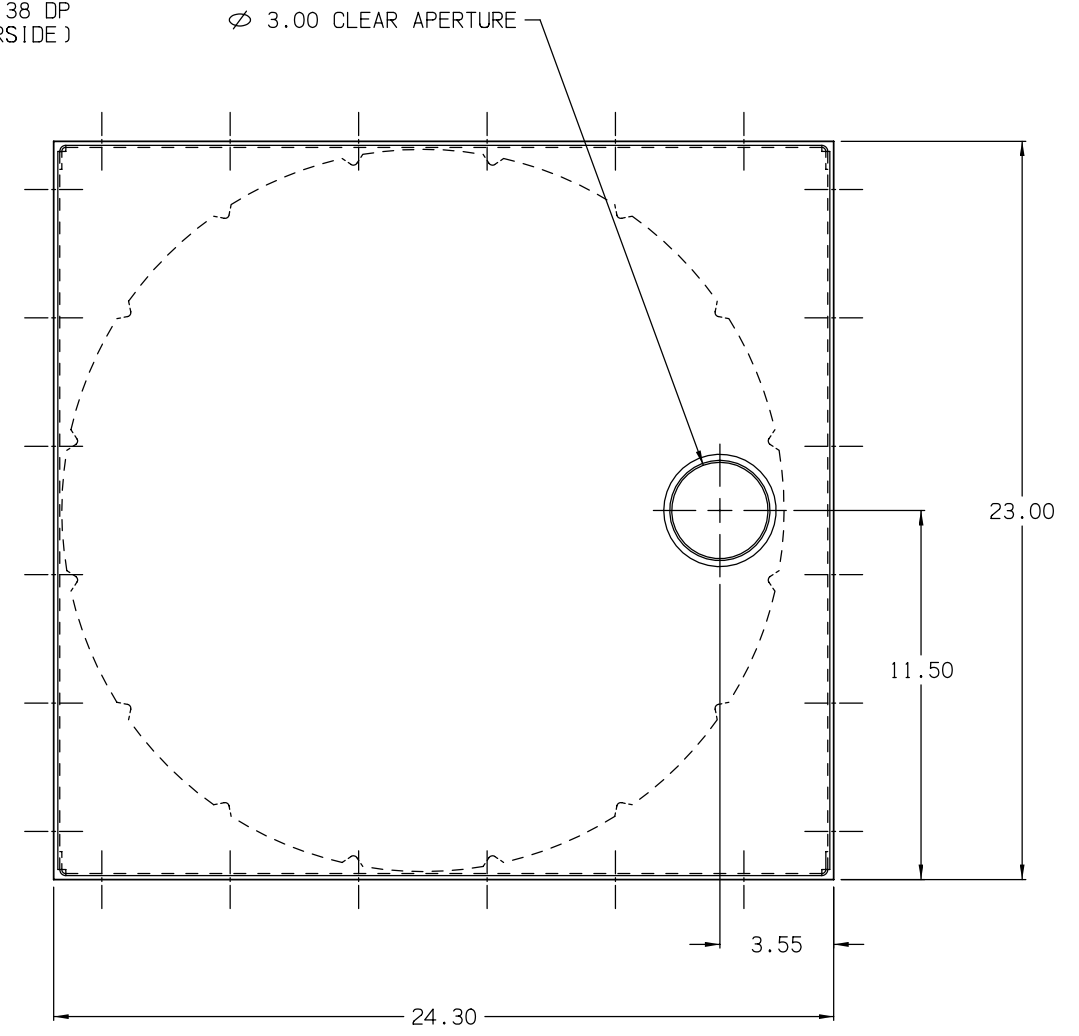
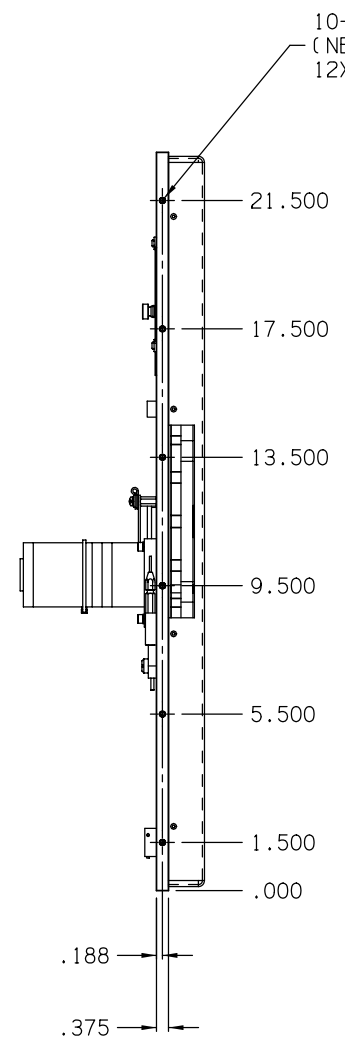
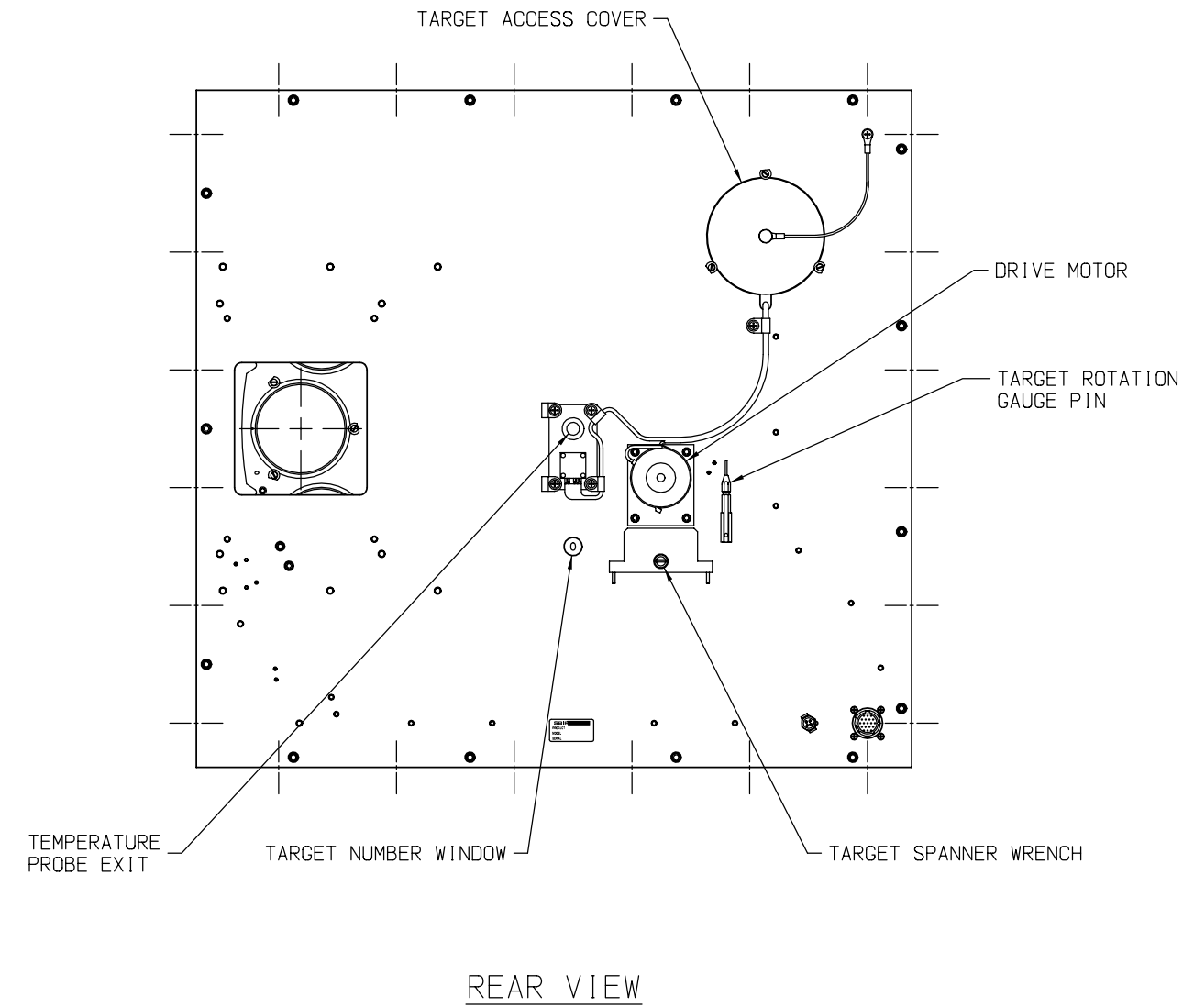
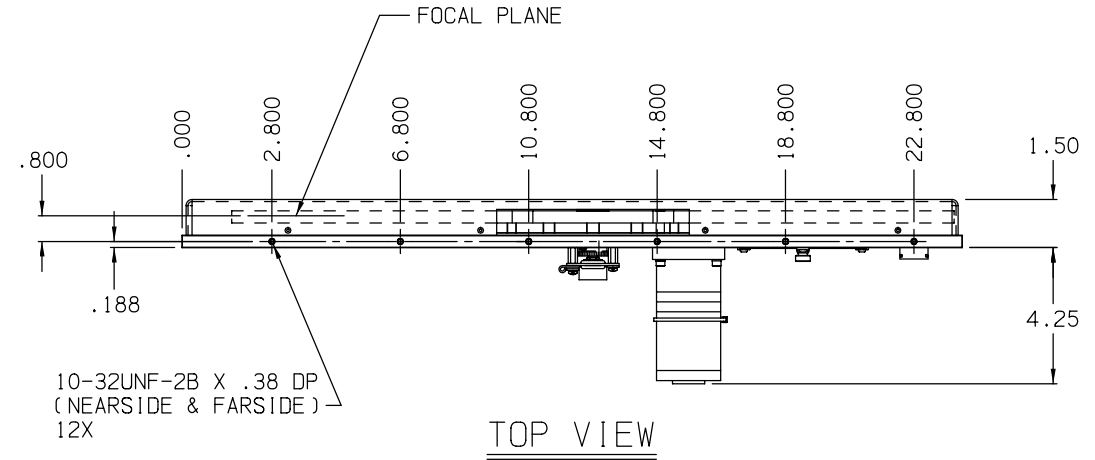


THIS DRAWING CONTAINS PROPRIETARY INFORMATION OF SANTA BARBARA INFRARED, INC. (SBIR) AND MAY NOT BE USED FOR THE MANUFACTURE OF ANY PART DISCLOSED HEREIN, NOR DUPLICATED, NOR DISCLOSED TO ANYONE, WITHOUT THE PRIOR WRITTEN PERMISSION OF SBIR.

DRAWN _____ RELEASED _____ DATE _____ REV _____



NOTES:
1. WEIGHT: APPROX. BAZILLION LBS. WITHOUT TARGETS.

MATERIAL		UNLESS OTHERWISE SPECIFIED DIMENSIONS ARE IN INCHES TOLERANCES ARE ±	DRAWN D. MONK	DATE 12-15-99	
		.XX .01	CHECKED	DATE	
		.XXX .005	RELEASED	DATE	TITLE
		.XXXX .0005	RELEASED PER EDD NO.	NONE	16 POSITION TARGET WHEEL OUTLINE
		FRAC. 1/16	SCALE 1/3	NUMBER SK600	SHEET 1 OF 1
		ANG. 1/2°	DO NOT SCALE FROM DRAWING	REV NC	
NEXT ASSY	USED ON	APPLICATION			