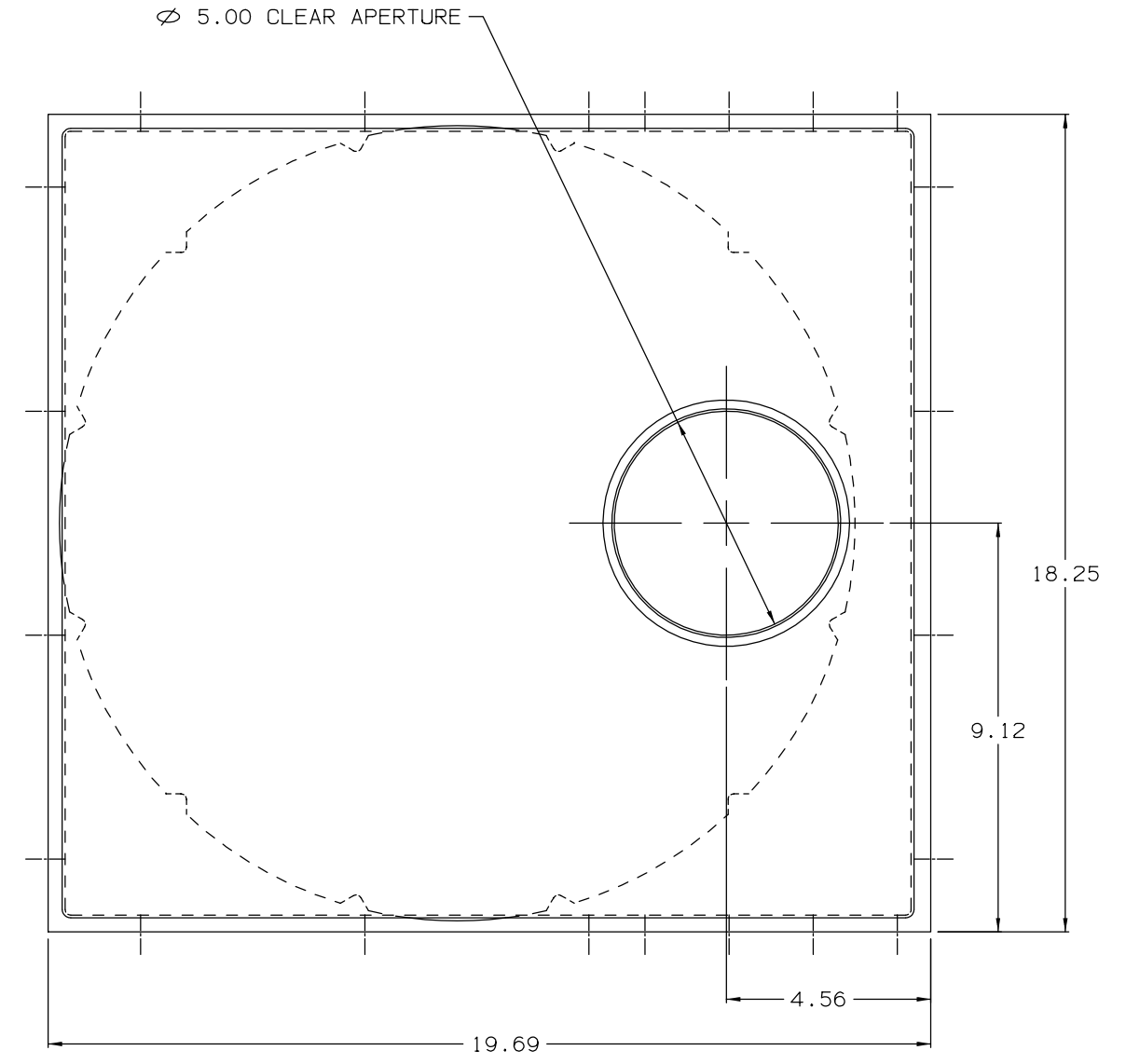
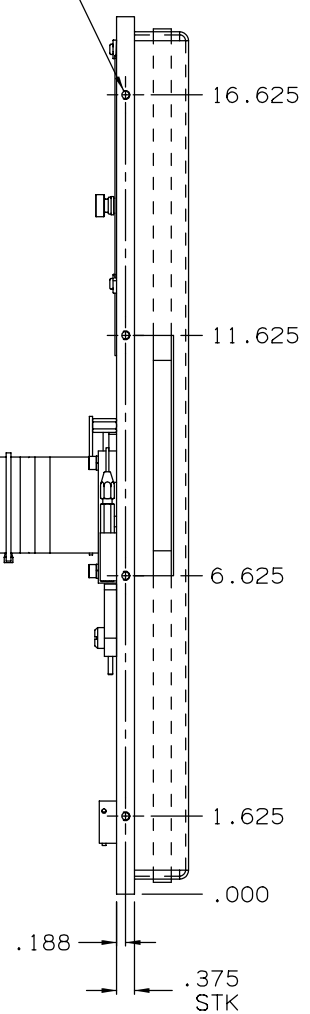
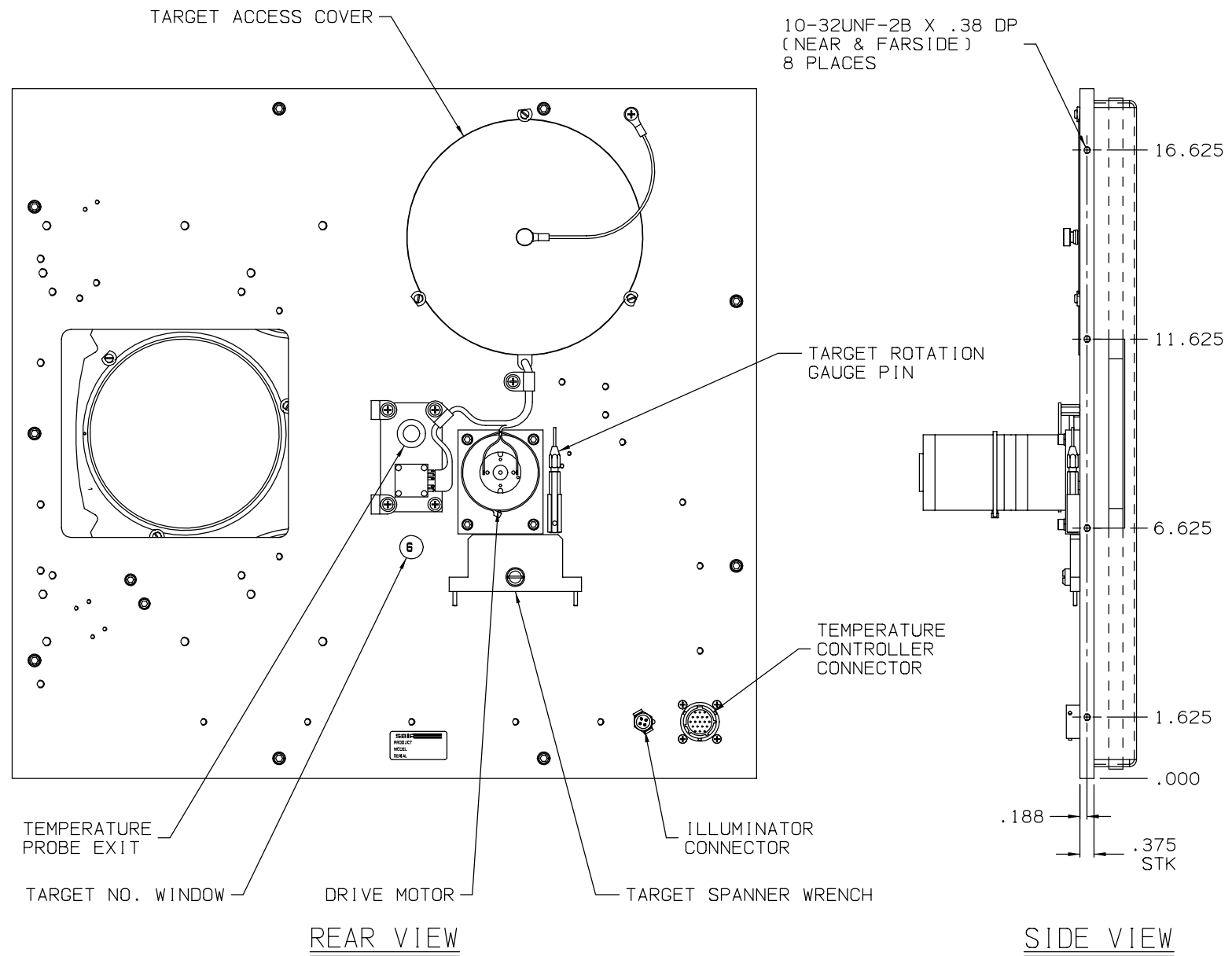
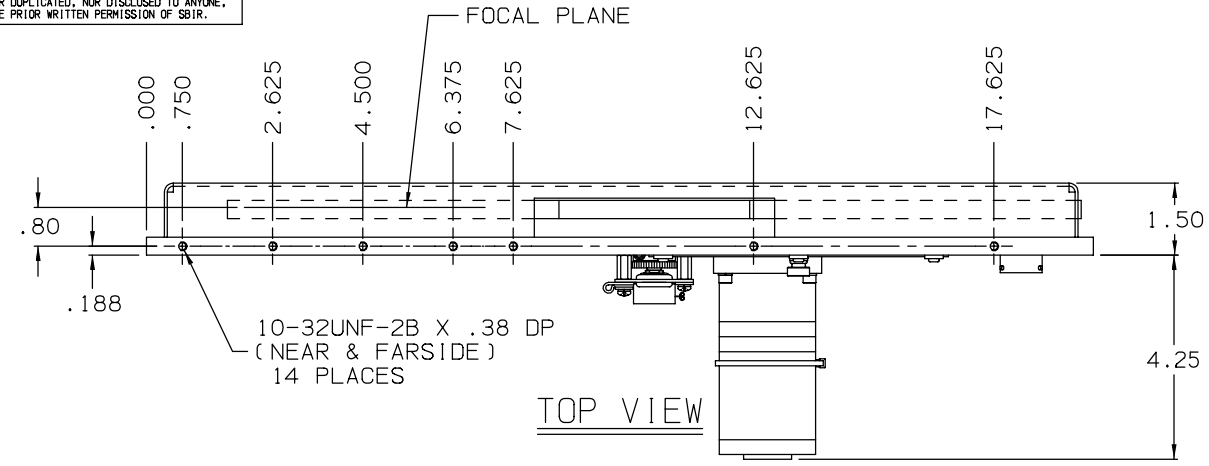


THIS DRAWING CONTAINS PROPRIETARY INFORMATION OF SANTA BARBARA INFRARED INC. (SBIR) AND MAY NOT BE USED FOR THE MANUFACTURE OF ANY PART DISCLOSED HEREIN, NOR DUPLICATED, NOR DISCLOSED TO ANYONE, WITHOUT THE PRIOR WRITTEN PERMISSION OF SBIR.

DRAWN	DRM	RELEASED	EB	DATE	2-12-97	REVISED - NEW MOTOR	REV	A
-------	-----	----------	----	------	---------	---------------------	-----	---



NOTES:
1. WEIGHT: APPROX. 23 LBS. WITHOUT TARGETS.

UNLESS OTHERWISE SPECIFIED DIMENSIONS ARE IN INCHES TOLERANCES ARE: .XX .01 .XXX .005 .XXXX .0005 FRAC. 1/16 ANG. 1/2"	DRAWN	R. FROMBERG	DATE	12-06-96			
	CHECKED	-----	DATE	-----		MODEL	MODEL 315
	RELEASED	-----	DATE	-----		TITLE	TARGET WHEEL OUTLINE
	RELEASED PER EDD NO.	-----	DATE	-----		NUMBER	SK463
DO NOT SCALE FROM DRAWING	SCALE	1/2	SHEET	1 OF 1	REV	A	