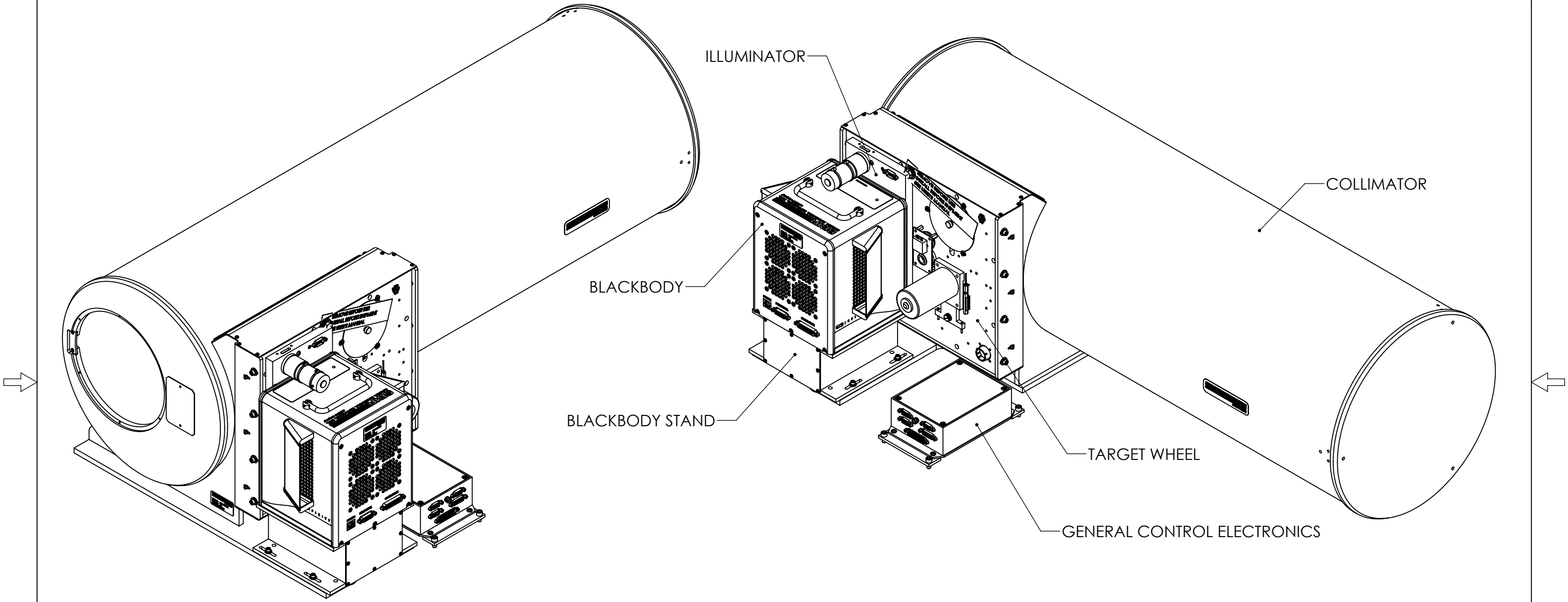


THIS DRAWING CONTAINS PROPRIETARY INFORMATION OF SANTA BARBARA INFRARED INC. (SBIR) AND MAY NOT BE USED FOR THE MANUFACTURE OF ANY PART DISCLOSED HEREIN, NOR DUPLICATED, NOR DISCLOSED TO ANYONE, WITHOUT THE PRIOR WRITTEN PERMISSION OF SBIR.

DRAWN	CHECKED	RELEASED	DATE	REVISED PER ECO	REV

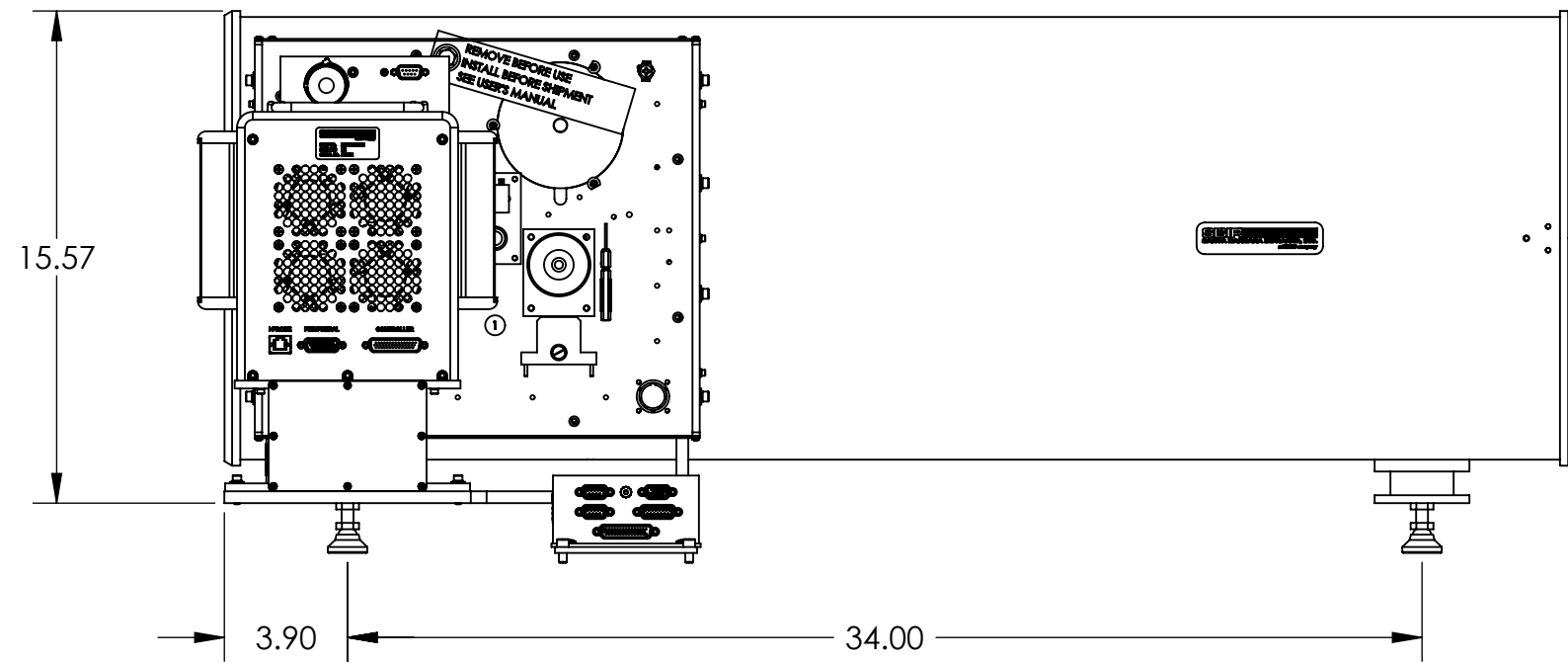
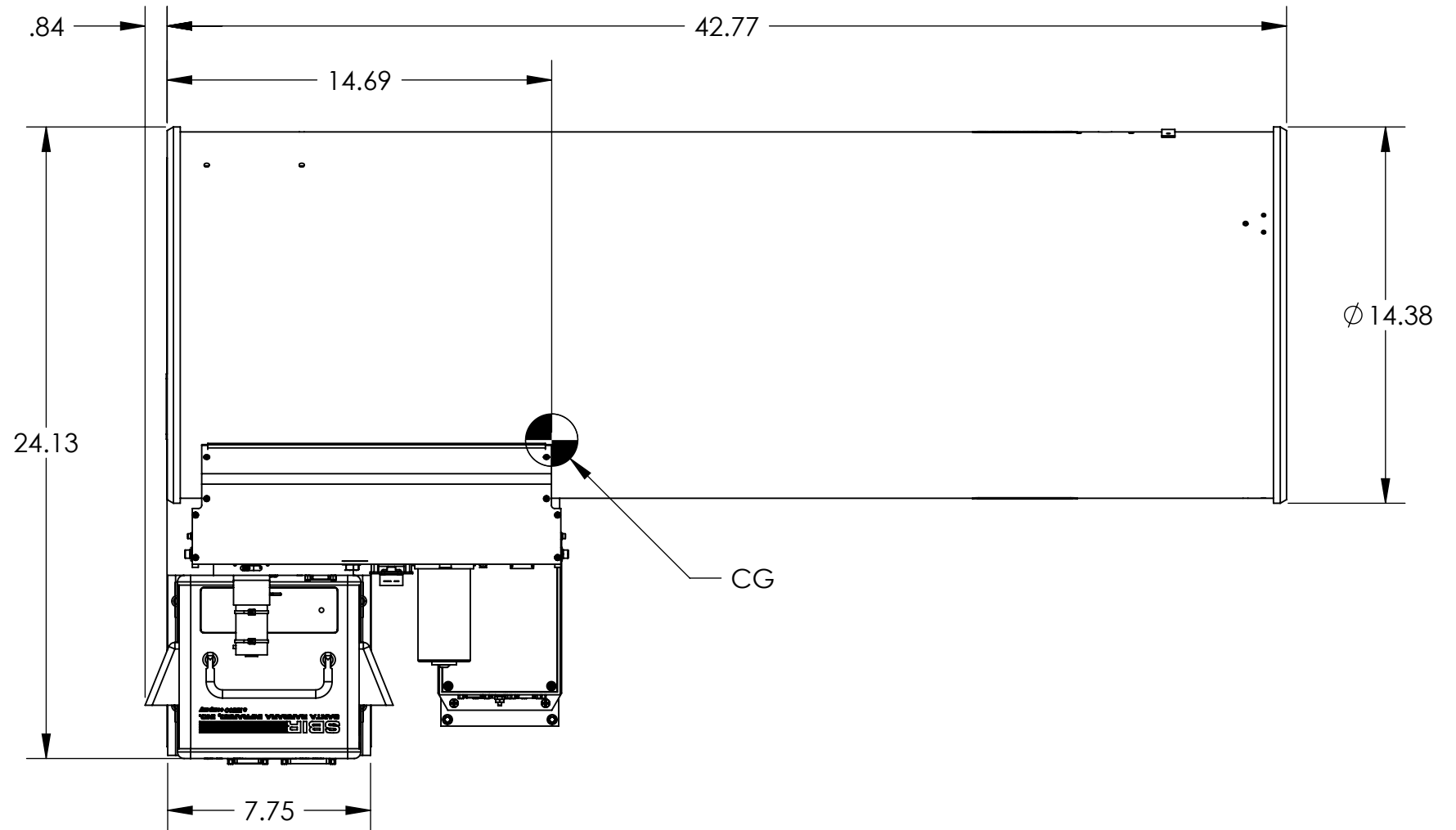
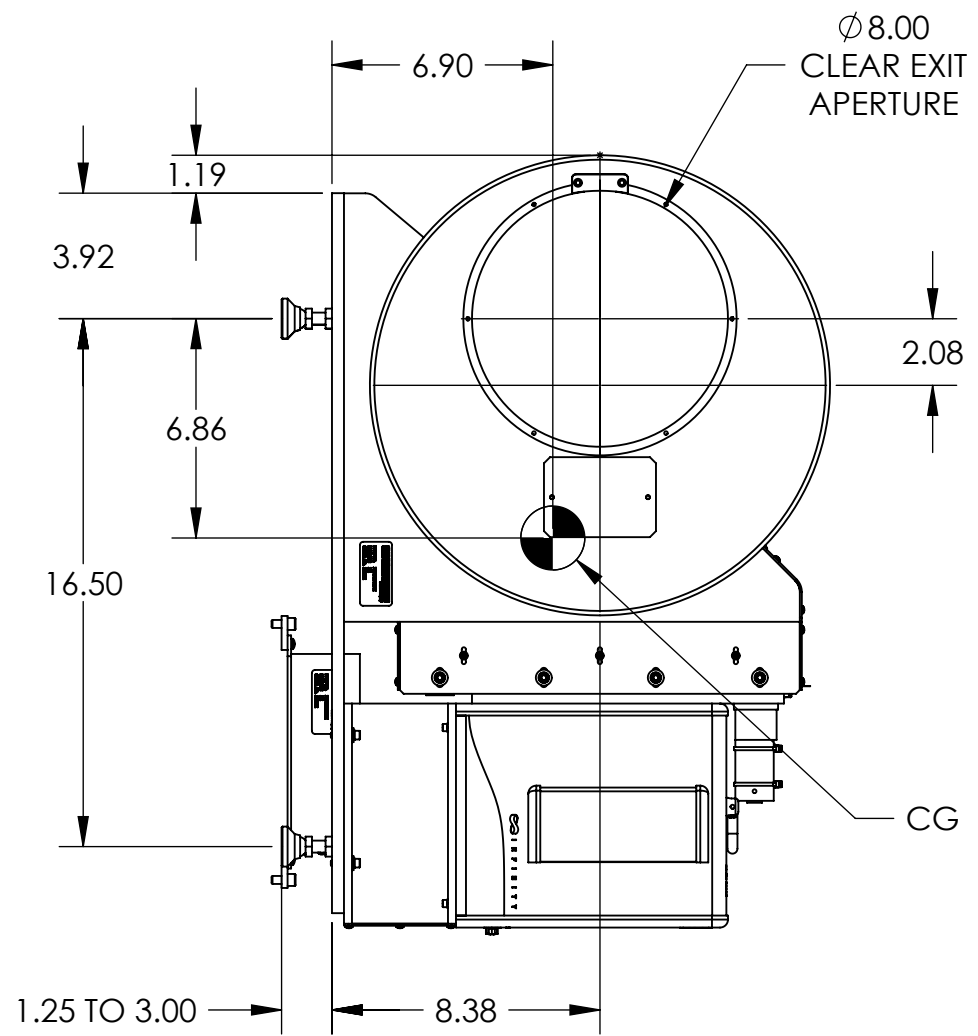


NOTES: UNLESS OTHERWISE SPECIFIED

1. CONTROLLER AND CABLING NOT SHOWN.
2. ESTIMATED WEIGHT AS SHOWN: 95 LB.

UNLESS OTHERWISE SPECIFIED DIMENSIONS ARE IN INCHES TOLERANCES ARE ± .XX .01 .XXX .005 .XXXX .0005 FRAC. 1/16 ANG. 1/2	DRAWN D. Monk	DATE 1-05-10	SBIR SANTA BARBARA INFRARED, INC. SANTA BARBARA, CA. 93103 a HEICO company			
	CHECKED	DATE				
	RELEASED	DATE	CAGE CODE: 0B0B2			
	RELEASED PER ECO NO. 048348	TITLE DOC, OUTLINE, TARGET PROJECTOR, 14003ZI				
DO NOT SCALE FROM DRAWING	SCALE 1:6	SIZE B	NUMBER 319-000-396	SHEET 1	OF 2	REV NC

SEE SHEET 1 FOR REVISIONS



TITLE DOC,OUTLINE,TARGET PROJECTOR,14003ZI				
SCALE 1:6	NUMBER 319-000-396	SHEET 2	OF 2	REV NC