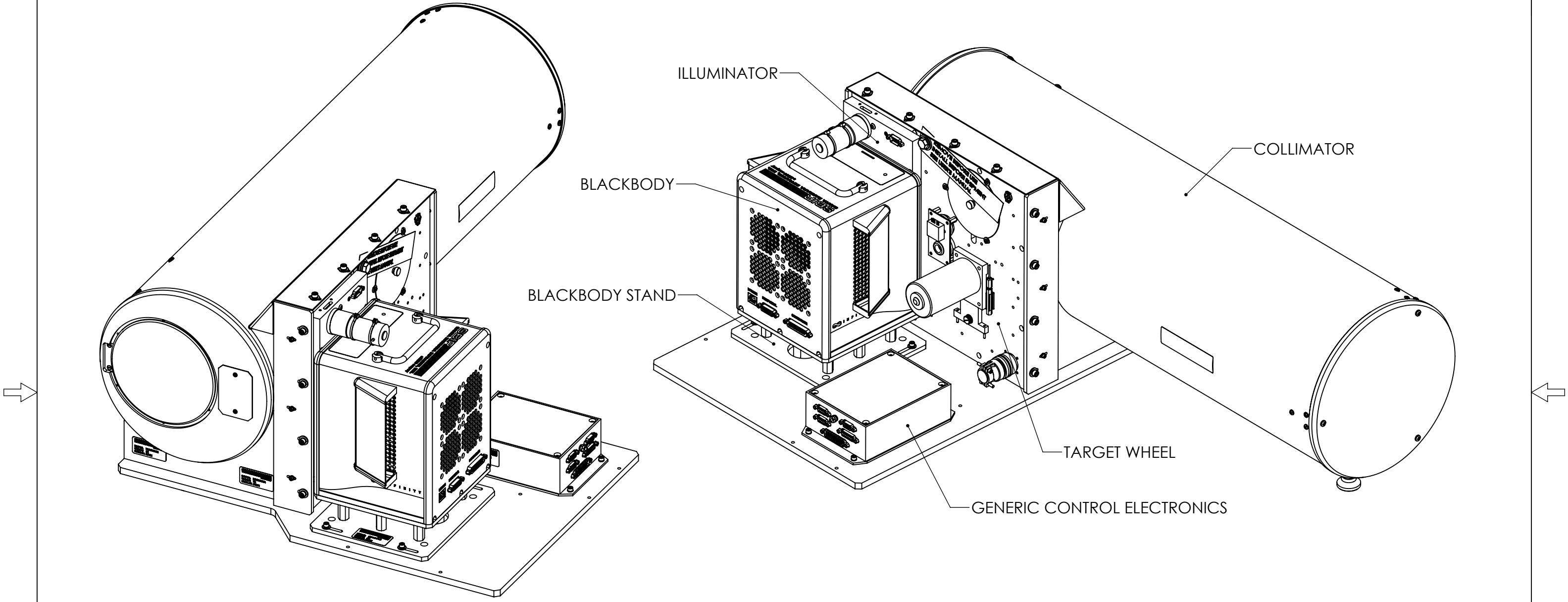


THIS DRAWING CONTAINS PROPRIETARY INFORMATION OF SANTA BARBARA INFRARED INC. (SBIR) AND MAY NOT BE USED FOR THE MANUFACTURE OF ANY PART DISCLOSED HEREIN, NOR DUPLICATED, NOR DISCLOSED TO ANYONE, WITHOUT THE PRIOR WRITTEN PERMISSION OF SBIR.

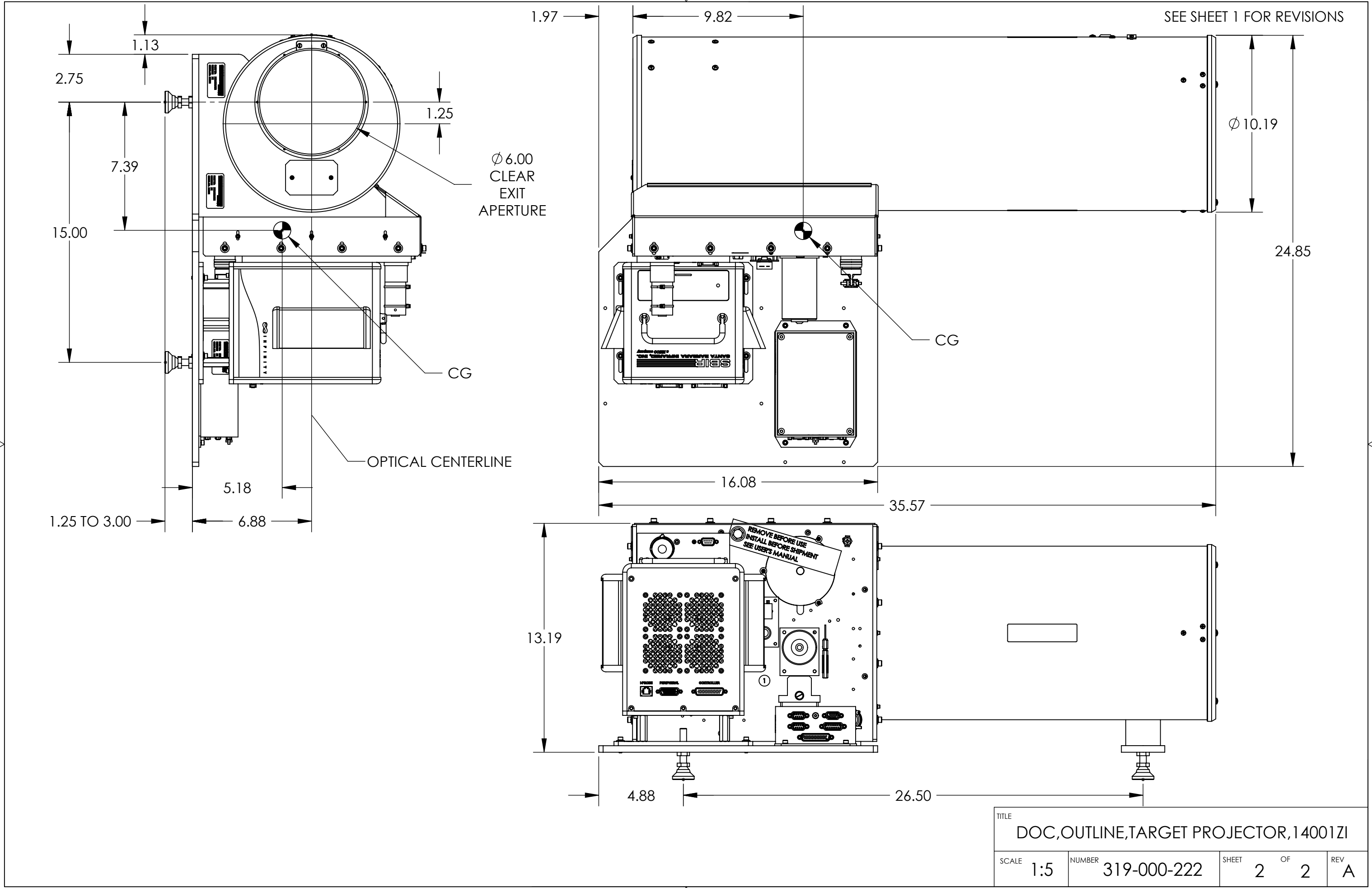
DRAWN	RELEASED	DATE	REVISED PER ECO	REV
DRM			047934	A



NOTES: UNLESS OTHERWISE SPECIFIED

1. CONTROLLER AND CABLING NOT SHOWN.
2. ESTIMATED WEIGHT AS SHOWN: 79 LB.

MATERIAL		UNLESS OTHERWISE SPECIFIED DIMENSIONS ARE IN INCHES TOLERANCES ARE ± .XX .01 .XXX .005 .XXXX .0005 FRAC. 1/16 ANG. 1/2	DRAWN D. Monk	DATE 3-31-09		
			CHECKED A. Duerner	DATE 4-07-09		MODEL
			RELEASED B. Lunt	DATE 4-08-09		TITLE DOC, OUTLINE, TARGET PROJECTOR, 14001ZI
			DO NOT SCALE FROM DRAWING	RELEASED PER ECO NO. 047740	SCALE 1:5	NUMBER 319-000-222
NEXT ASSY	USED ON				SHEET 1 OF 2	REV A
APPLICATION						



TITLE				
DOC,OUTLINE,TARGET PROJECTOR,14001ZI				
SCALE	NUMBER	SHEET	OF	REV
1:5	319-000-222	2	2	A