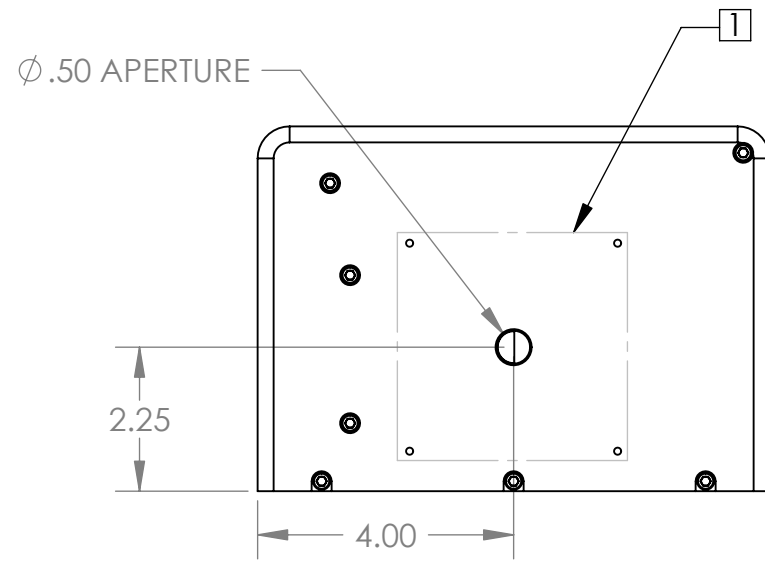
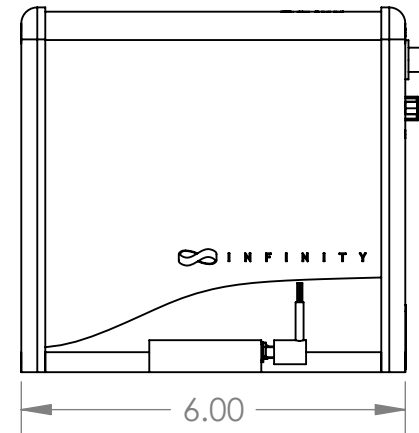


THIS DRAWING CONTAINS PROPRIETARY INFORMATION OF SANTA BARBARA INFRARED INC. (SBIR) AND MAY NOT BE USED FOR THE MANUFACTURE OF ANY PART DISCLOSED HEREIN, NOR DUPLICATED, NOR DISCLOSED TO ANYONE, WITHOUT THE PRIOR WRITTEN PERMISSION OF SBIR.

DRAWN	RELEASED	DATE	REVISED PER ECO	REV

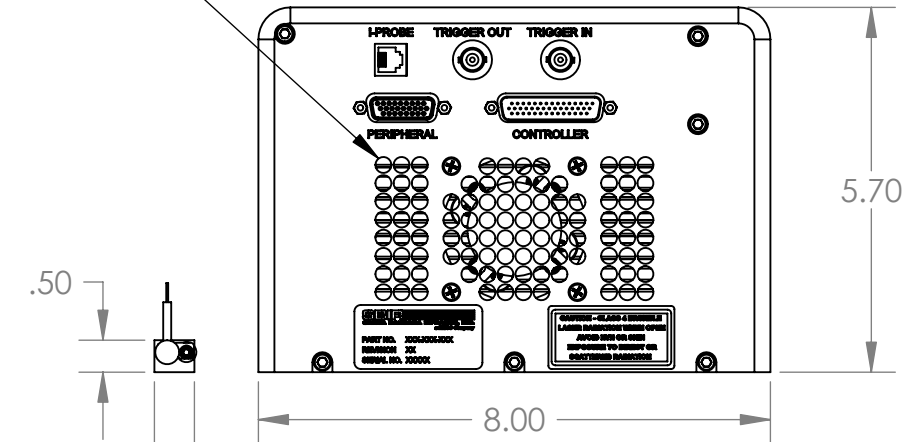


**FRONT VIEW**

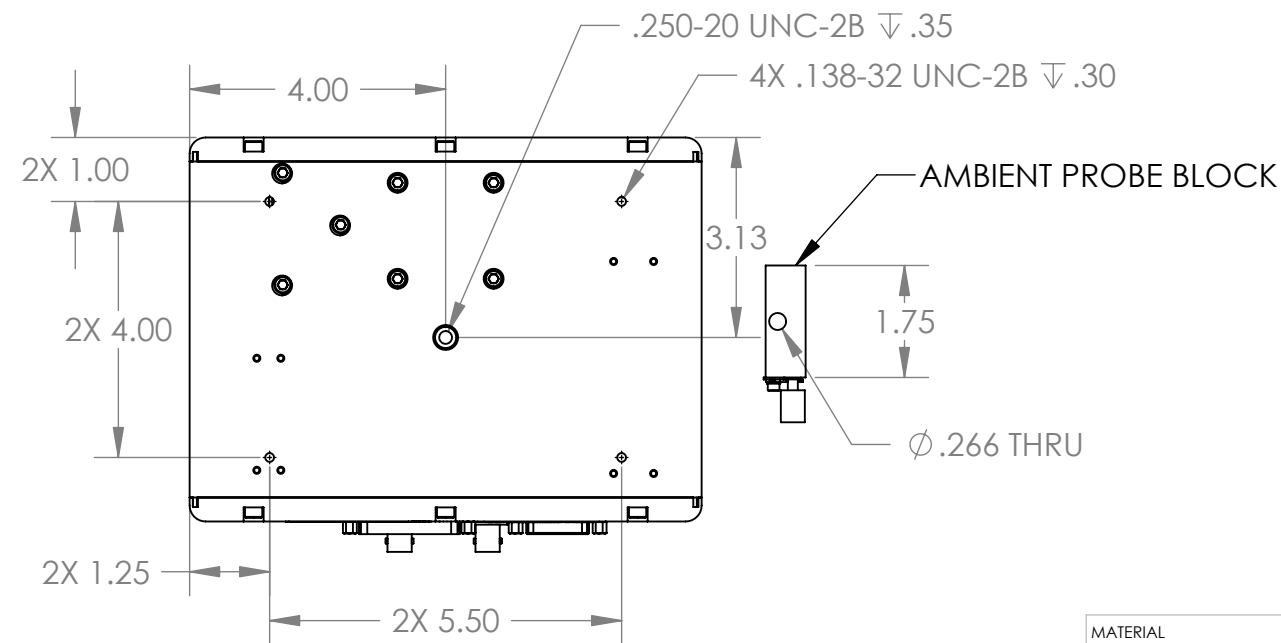


**SIDE VIEW**

DO NOT BLOCK VENT HOLES



**REAR VIEW**



**BOTTOM VIEW**

NOTES: UNLESS OTHERWISE SPECIFIED

1 REMOVE COVER (NOT SHOWN) BEFORE USE, REPLACE COVER WHEN STORED OR SHIPPED.

MATERIAL	UNLESS OTHERWISE SPECIFIED DIMENSIONS ARE IN INCHES TOLERANCES ARE ±	DRAWN A DUERNER	DATE 8/14/08	<b>SBIR</b> SANTA BARBARA INFRARED, INC	
	.XX .01	CHECKED	DATE	MODEL	
	.XXX .005	RELEASED	DATE	TITLE	
	.XXXX .0005	RELEASED PER ECO NO.	047239	DOC, OUTLINE, MSS, 13409	
FRAC.	1/16	SCALE	1:3	NUMBER	319-000-117
ANG.	1/2			SHEET	1 OF 1
NEXT ASSY	USED ON	DO NOT SCALE FROM DRAWING		REV	NC
APPLICATION					