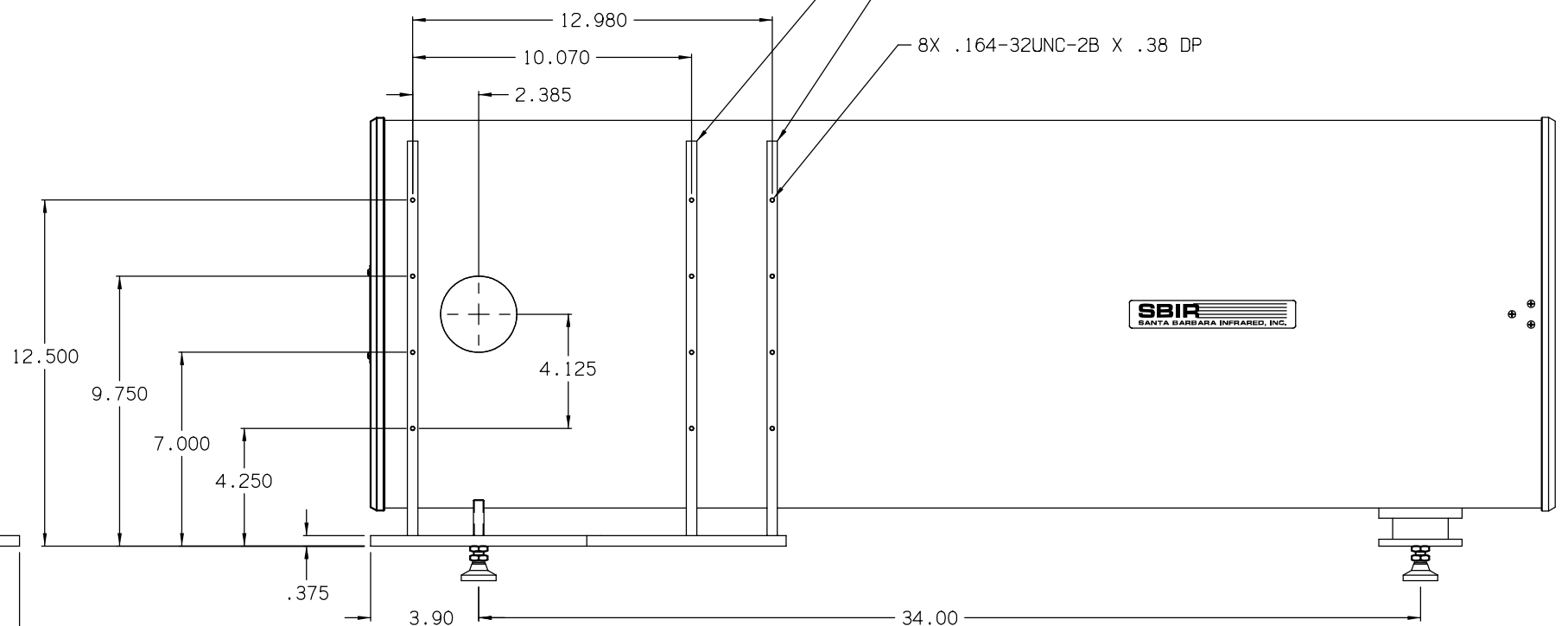
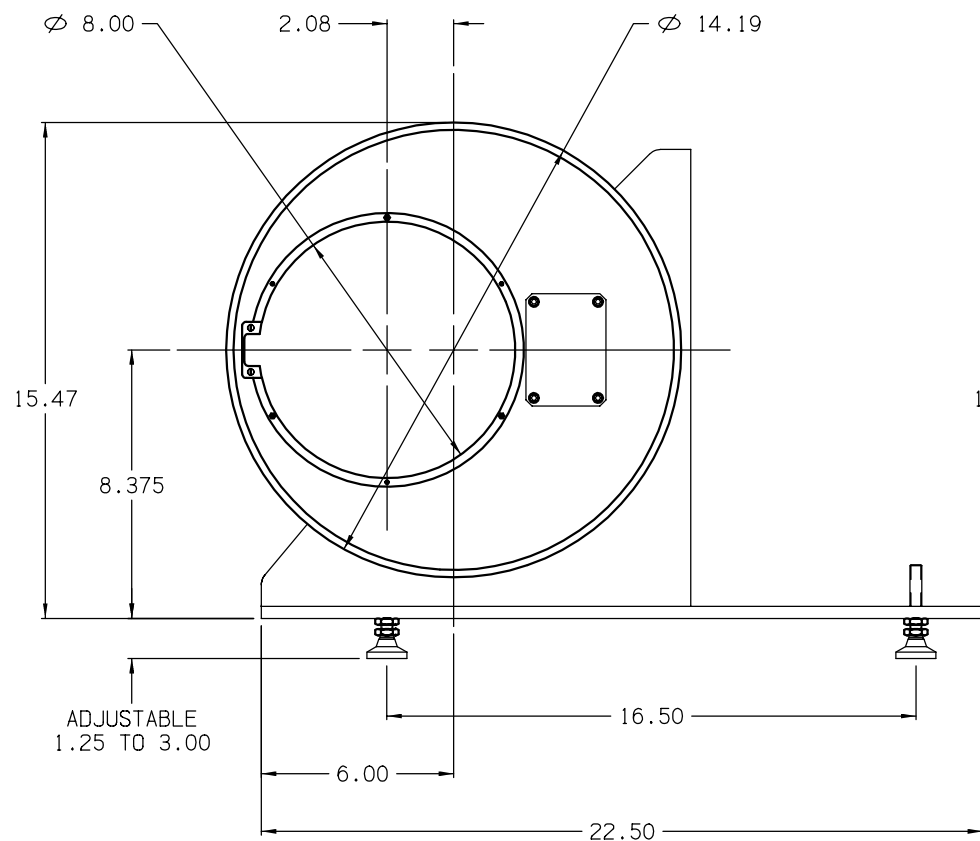
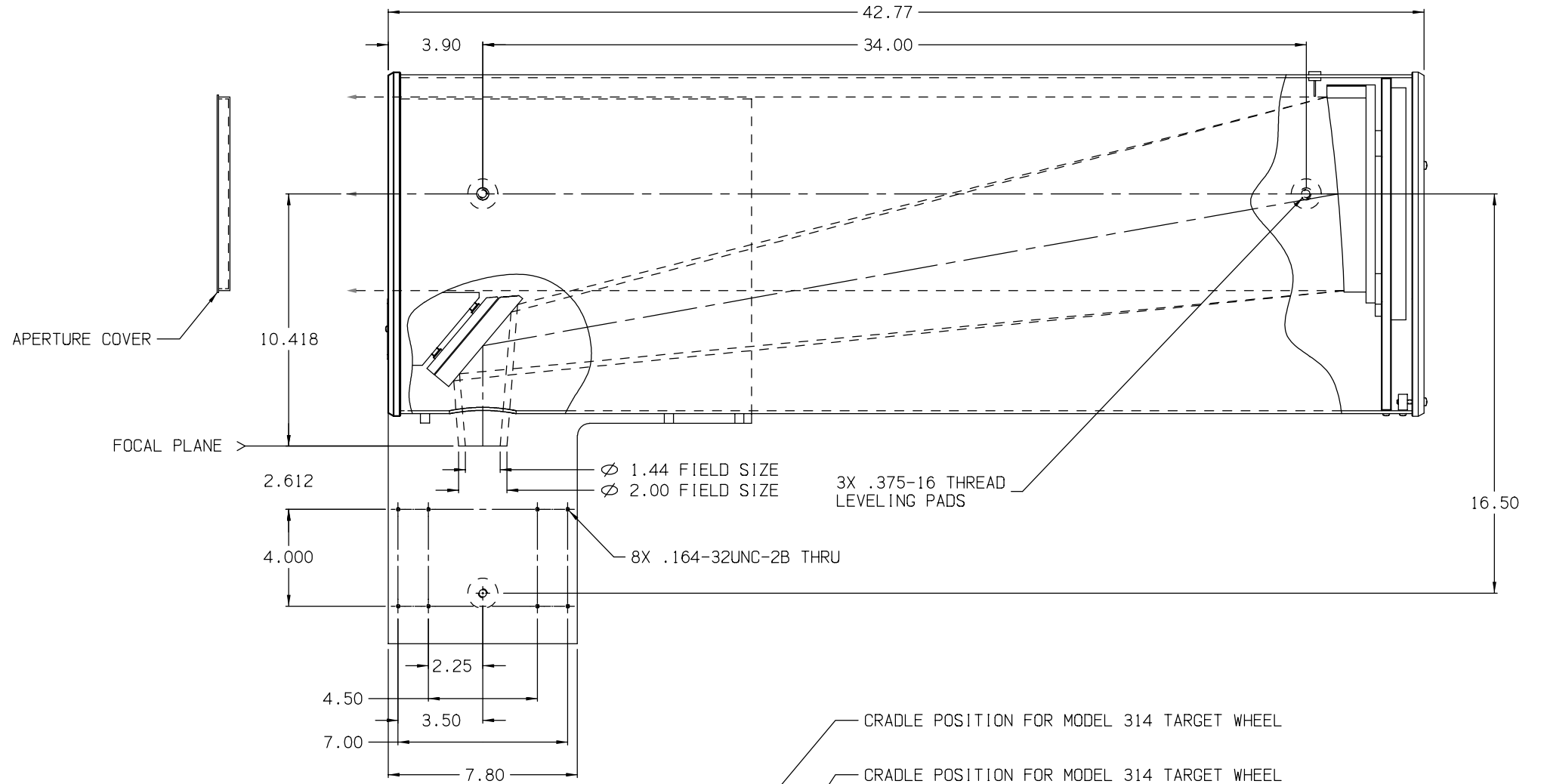


THIS DRAWING CONTAINS PROPRIETARY INFORMATION OF SANTA BARBARA INFRARED, INC. (SBIR) AND MAY NOT BE USED FOR THE MANUFACTURE OF ANY PART DISCLOSED HEREIN, NOR DUPLICATED, NOR DISCLOSED TO ANYONE, WITHOUT THE PRIOR WRITTEN PERMISSION OF SBIR.

NOTES:

- PRIMARY MIRROR SPECIFICATIONS: 39.69 PARENT FOCAL LENGTH
40.00 EFFECTIVE FOCAL LENGTH
8.00 CLEAR APERTURE
7.00 ZONAL RADIUS
- WEIGHT: APPROX. 55 LBS.



MATERIAL		UNLESS OTHERWISE SPECIFIED DIMENSIONS ARE IN INCHES TOLERANCES ARE ±	DRAWN D. MONK	DATE 10-22-99	
		.XX .01	CHECKED R. FROMBERG	DATE 10-25-99	
		.XXX .005	RELEASED J. WEST	DATE 10-26-99	
		.XXXX .0005	RELEASED PER ECD NO.	NONE	
FRAC.	1/16				
ANG.	1/2°				
NEXT ASSY	USED ON	DO NOT SCALE FROM DRAWING	SCALE	NUMBER	
			1/3	SK526	
					MODEL STC840/840Z TITLE COLLIMATOR OUTLINE
					SHEET 1 OF 1 REV NC