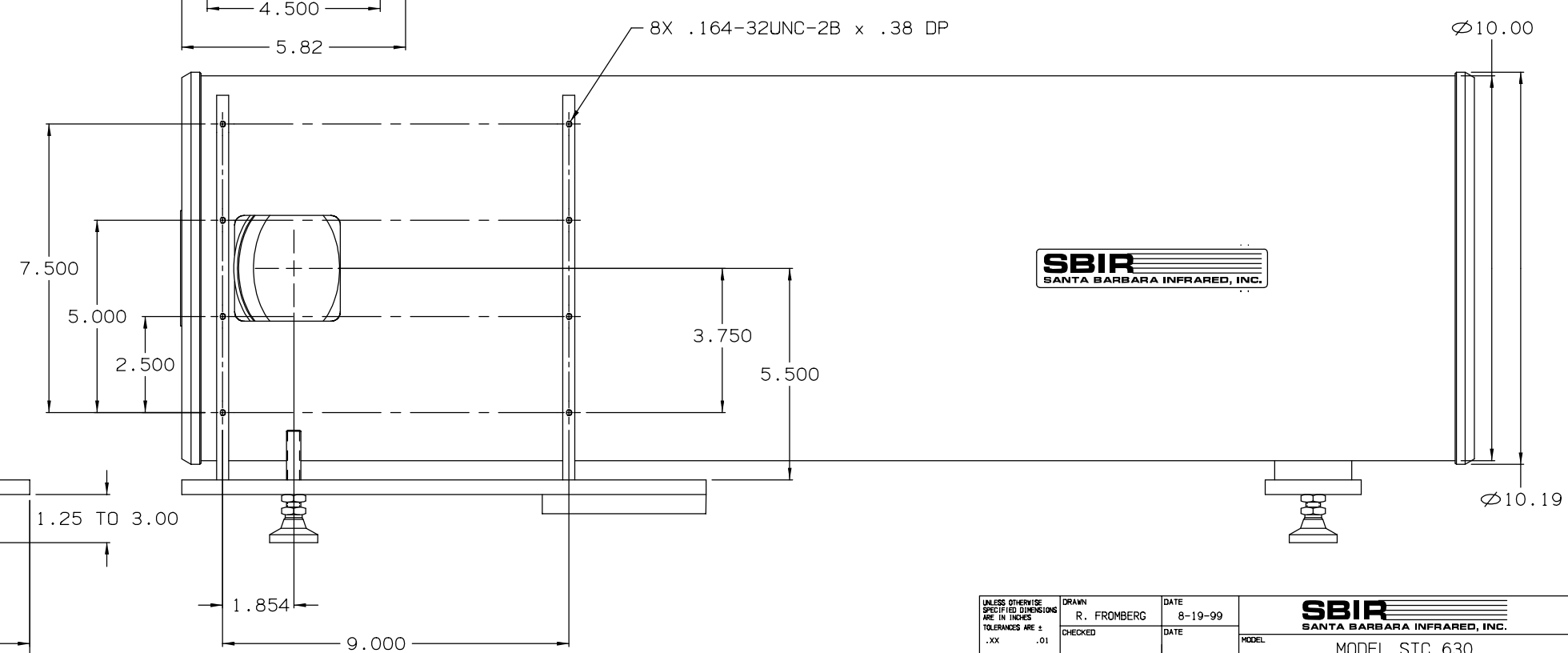
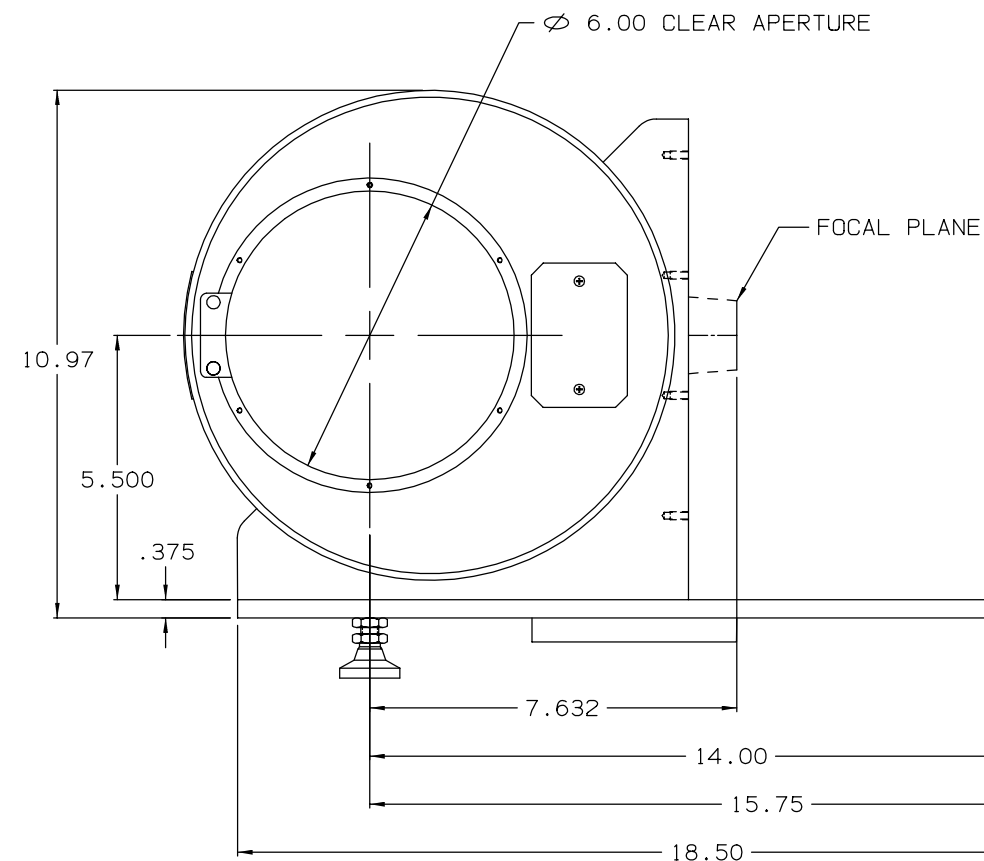
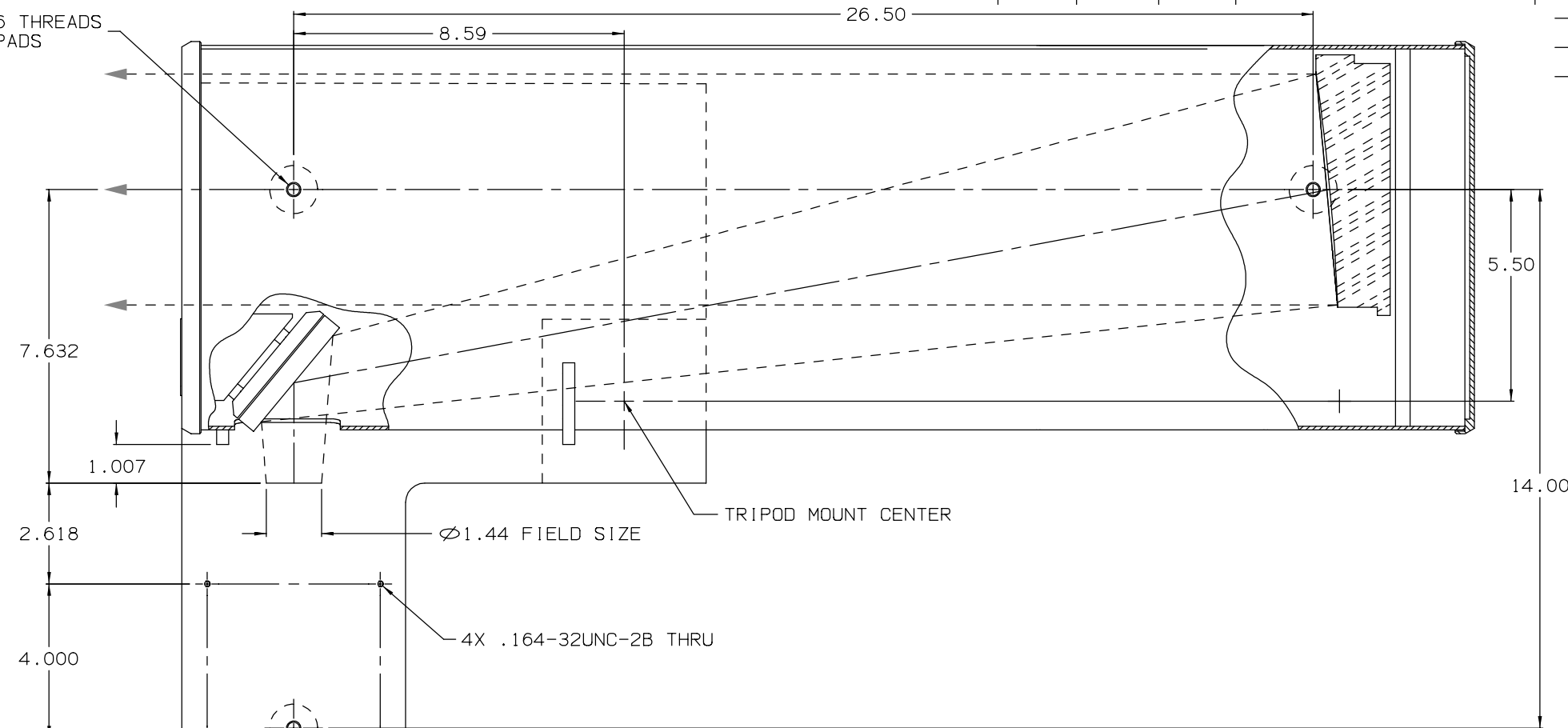


THIS DRAWING CONTAINS PROPRIETARY INFORMATION OF SANTA BARBARA INFRARED, INC. (SBIR) AND MAY NOT BE USED FOR THE MANUFACTURE OF ANY PART DISCLOSED HEREIN, NOR DUPLICATED, NOR DISCLOSED TO ANYONE, WITHOUT THE PRIOR WRITTEN PERMISSION OF SBIR.

NOTES:

- PRIMARY MIRROR SPECIFICATIONS: 30.00 FOCAL LENGTH
6.00 CLEAR APERTURE
5.50 ZONAL RADIUS
- WEIGHT: APPROX. 30 LBS.

3X .375-16 THREADS
LEVELING PADS



UNLESS OTHERWISE SPECIFIED DIMENSIONS ARE IN INCHES TOLERANCES ARE: .XX .01 .XXX .005 .XXXX .0005 FRAC. 1/16 ANG. 1/2"	DRAWN R. FROMBERG	DATE 8-19-99		
	CHECKED	DATE		MODEL MODEL STC 630
	RELEASED	DATE		TITLE COLLIMATOR OUTLINE
	RELEASED PER ECD NO.	NONE		
DO NOT SCALE FROM DRAWING	SCALE 1/2	NUMBER SK412	SHEET 1 OF 1 REV NC	