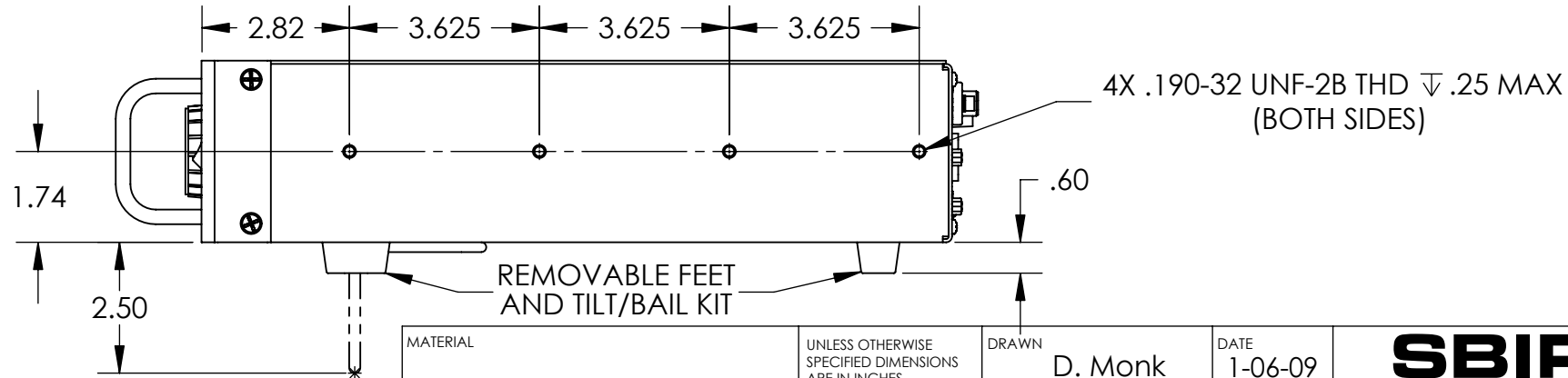
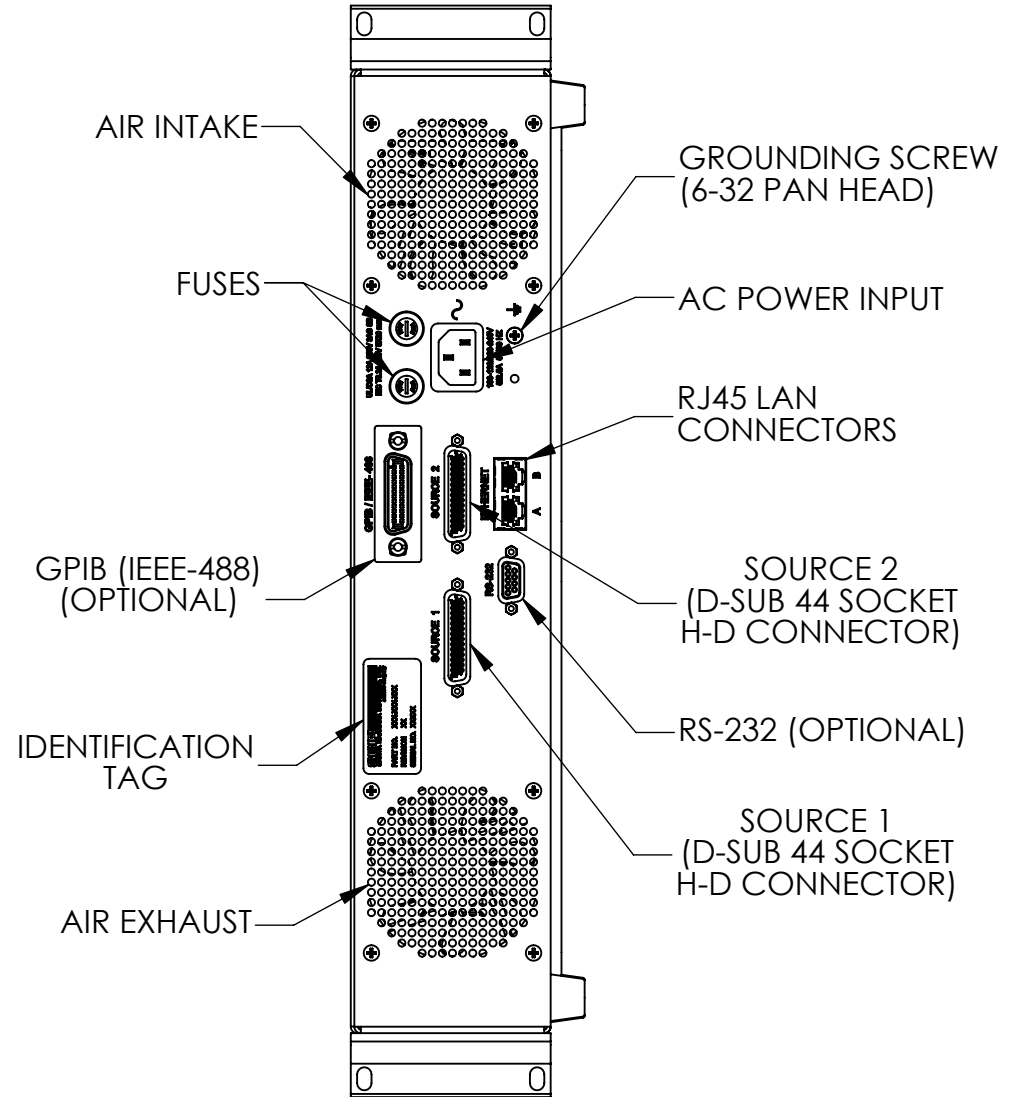
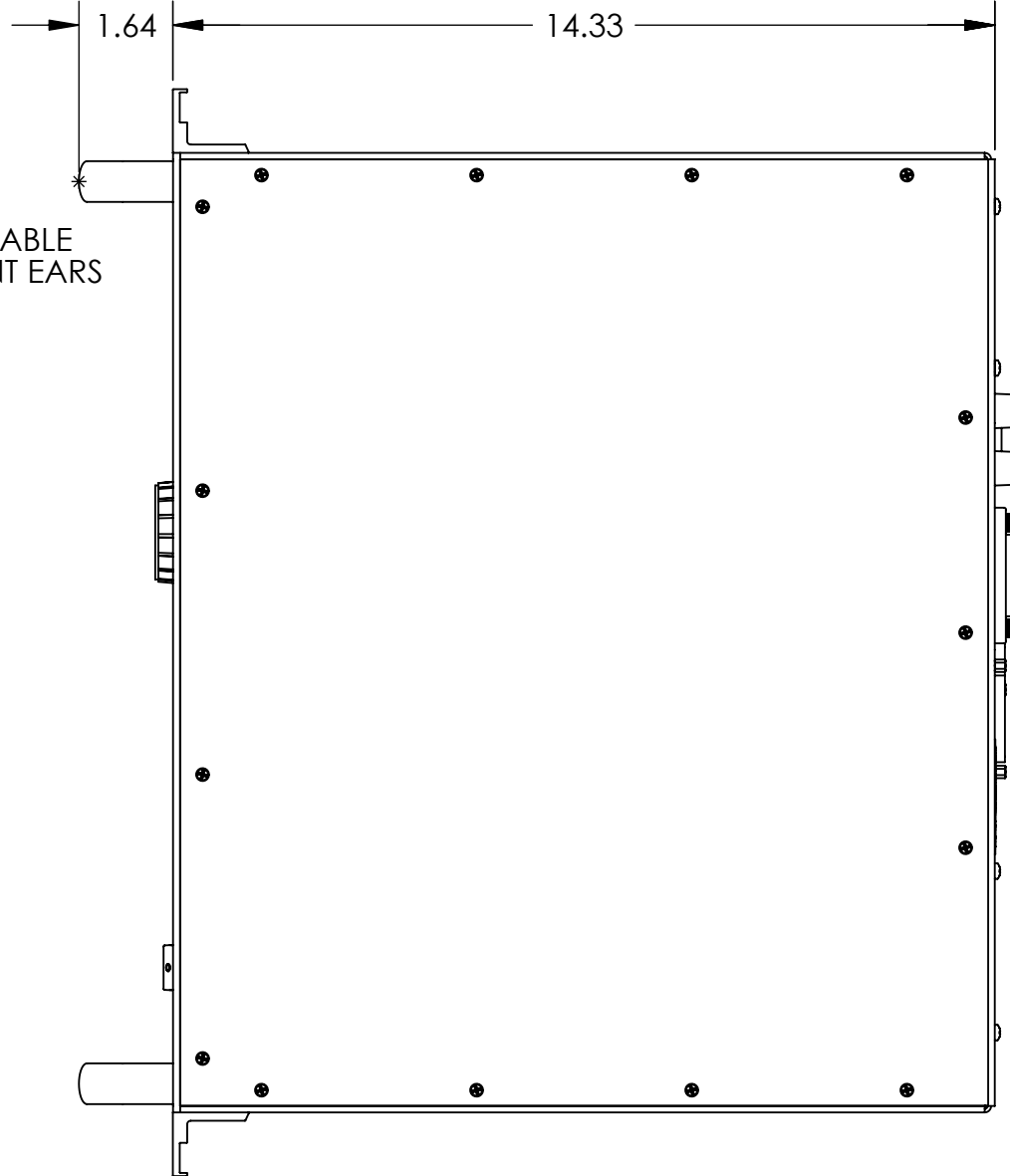
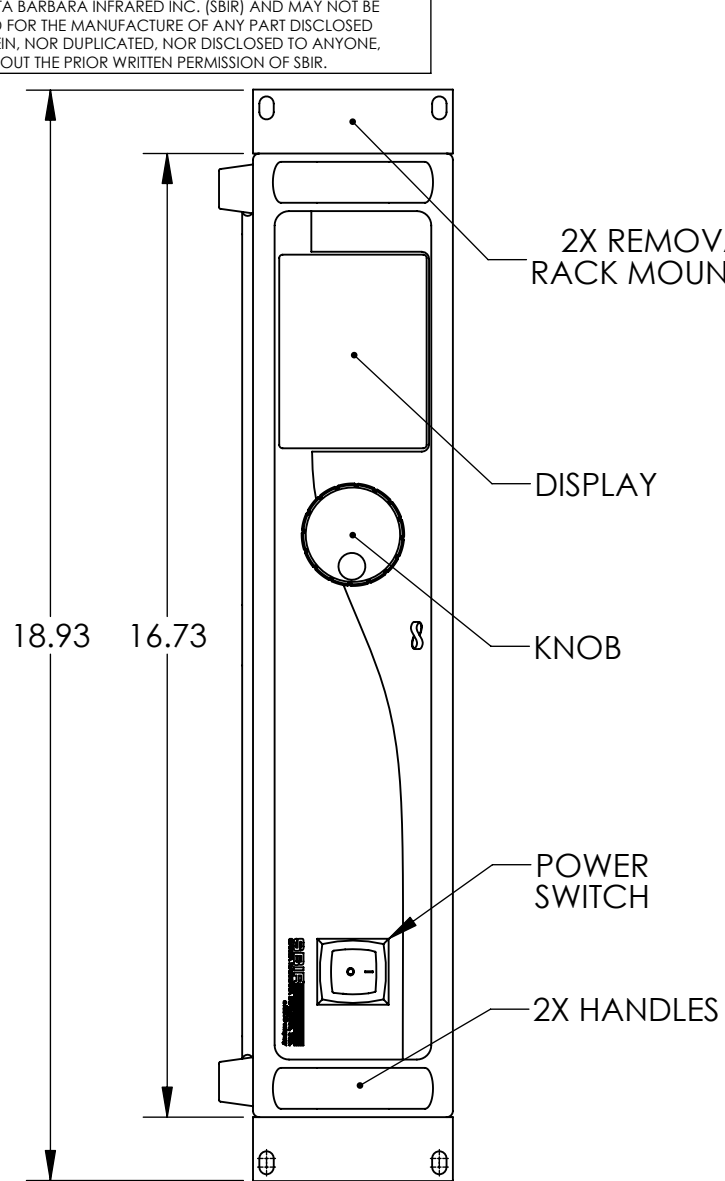


THIS DRAWING CONTAINS PROPRIETARY INFORMATION OF SANTA BARBARA INFRARED INC., (SBIR) AND MAY NOT BE USED FOR THE MANUFACTURE OF ANY PART DISCLOSED HEREIN, NOR DUPLICATED, NOR DISCLOSED TO ANYONE, WITHOUT THE PRIOR WRITTEN PERMISSION OF SBIR.

| | | | | |
|-------|----------|------|-----------------|-----|
| DRAWN | RELEASED | DATE | REVISED PER ECO | REV |
| | | | | |



NOTES: UNLESS OTHERWISE SPECIFIED

1. RACK MOUNT KIT (3-SECTION) OPTIONAL. EXTENSION BRACKETS ARE AVAILABLE.

| | | | | | |
|-------------|-------------------------------------------------------------------------|-----------------------------|-----------------------|-----------------------------------------------------|---------|
| MATERIAL | UNLESS OTHERWISE SPECIFIED DIMENSIONS ARE IN INCHES TOLERANCES ARE ± | DRAWN D. Monk | DATE 1-06-09 | | |
| | .XX .01 | CHECKED | DATE | | |
| | .XXX .005 | RELEASED | DATE | TITLE DOC, OUTLINE, INFINITY CONTROLLER, GENERIC | |
| | .XXXX .0005 | RELEASED PER ECO NO. 047574 | | | |
| FRAC. 1/16 | ANG. 1/2 | SCALE 3:10 | NUMBER 319-000-166 | SHEET 1 | OF 1 |
| NEXT ASSY | USED ON | DO NOT SCALE FROM DRAWING | | REV NC | |
| APPLICATION | | | | | |