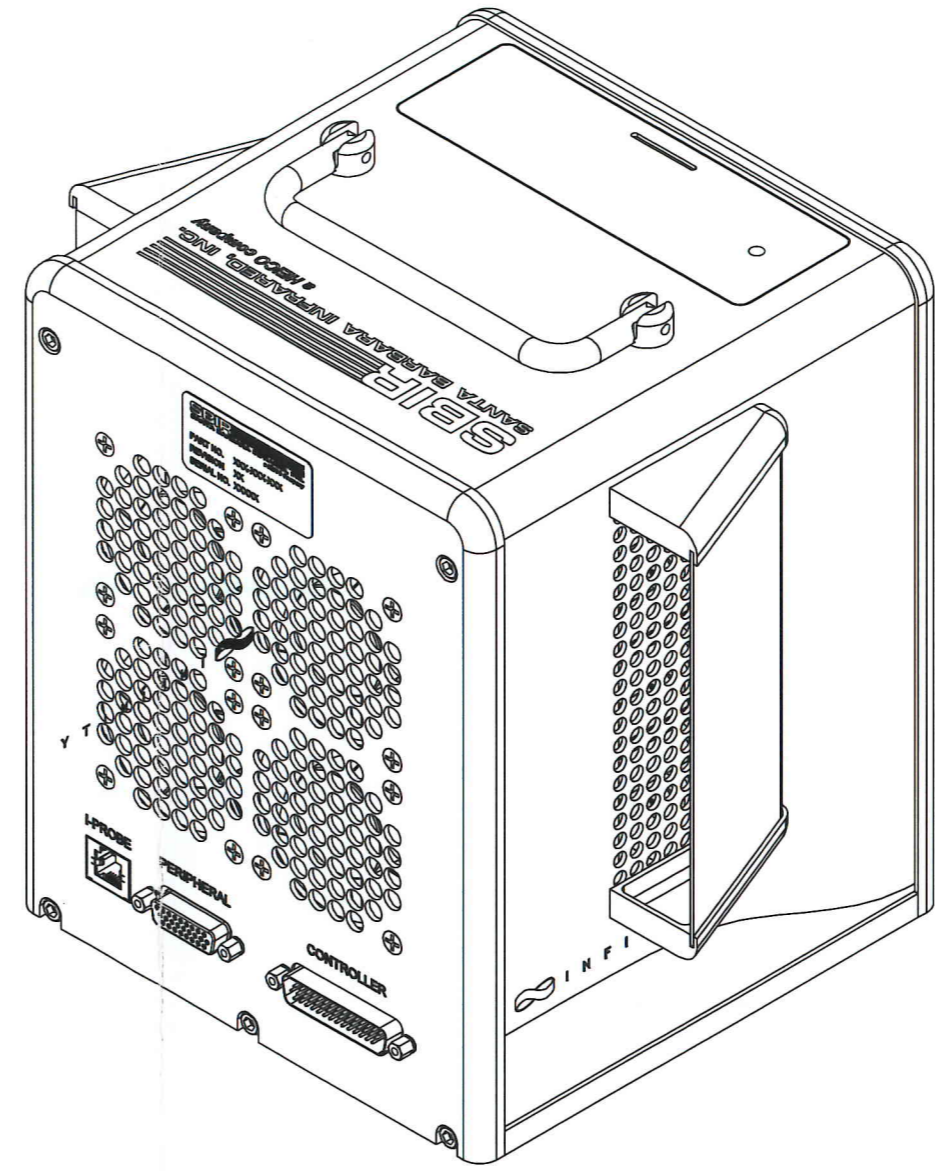
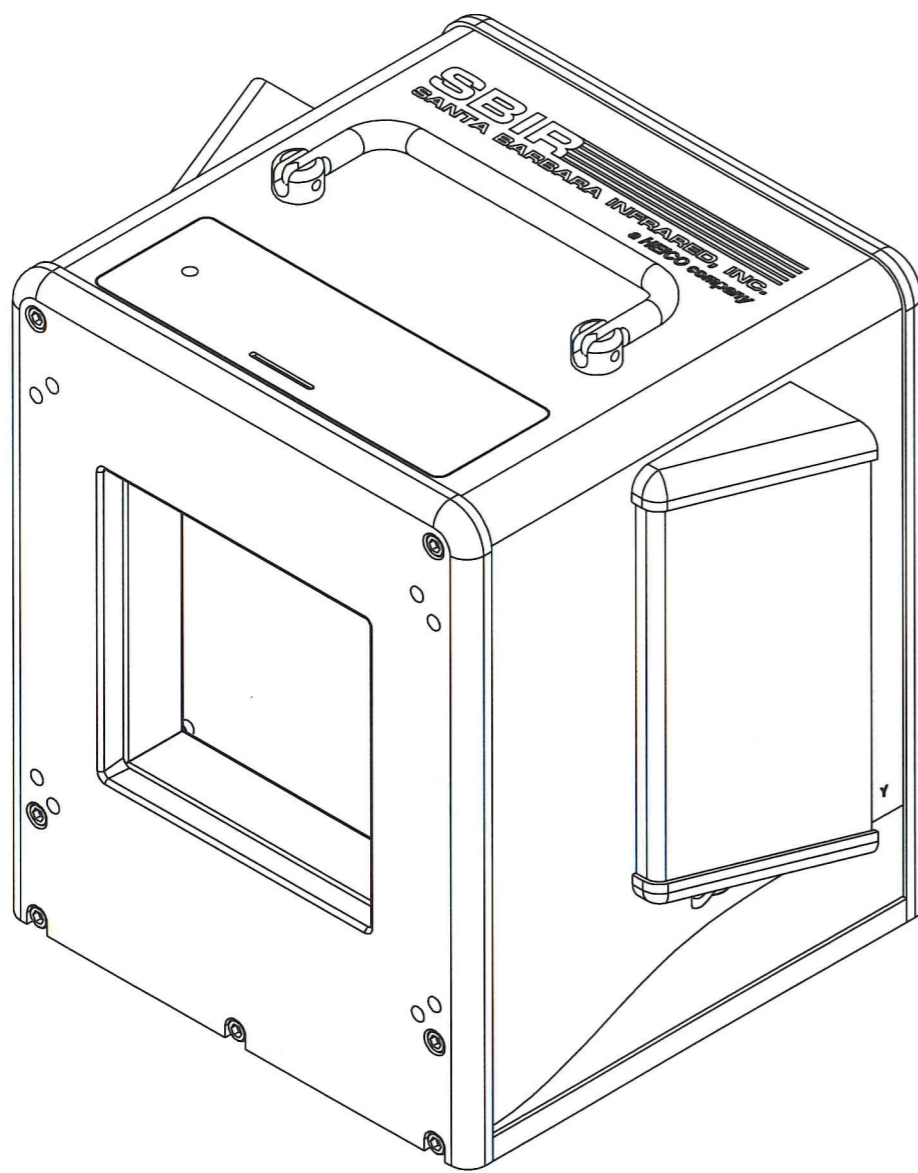


THIS DRAWING CONTAINS PROPRIETARY INFORMATION OF SANTA BARBARA INFRARED INC. (SBIR) AND MAY NOT BE USED FOR THE MANUFACTURE OF ANY PART DISCLOSED HEREIN, NOR DUPLICATED, NOR DISCLOSED TO ANYONE, WITHOUT THE PRIOR WRITTEN PERMISSION OF SBIR.

DRAWN	RELEASED	DATE	REVISED PER ECO	REV
DRM	DRM	9-20-07	046330	A



NOTES: UNLESS OTHERWISE SPECIFIED

MATERIAL	UNLESS OTHERWISE SPECIFIED DIMENSIONS ARE IN INCHES TOLERANCES ARE ±	DRAWN D. Monk	DATE 8-03-07		
	.XX .01	CHECKED B. Lunt	DATE 8-07-07		
	.XXX .005	RELEASED B. Lunt	DATE 8-07-07	TITLE DOC, OUTLINE, 4 INCH INFINITY BLACKBODY	
	.XXXX .0005		RELEASED PER ECO NO. 046277		
NEXT ASSY	USED ON	SCALE 1:2	NUMBER 319-000-028	SHEET 1	OF 2
APPLICATION	DO NOT SCALE FROM DRAWING			REV A	



SEE SHEET 1 FOR REVISIONS

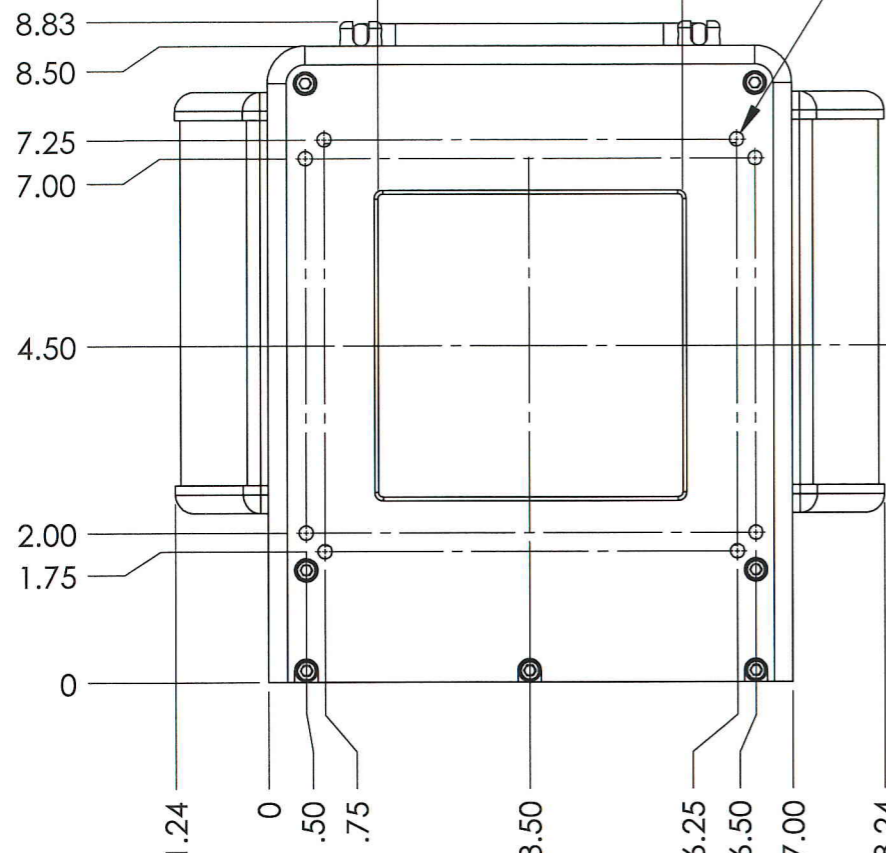
4X FANS
AIR INTAKE

A

A

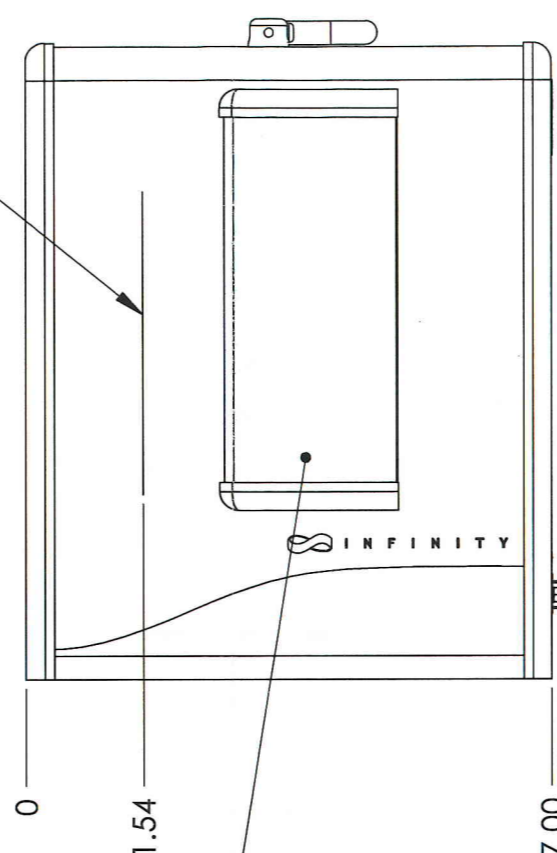
4.05
SQUARE
APERTURE

8X 10-32 UNC-2B ∇ .25



EMITTER FACE

OPTICAL
CENTERLINE

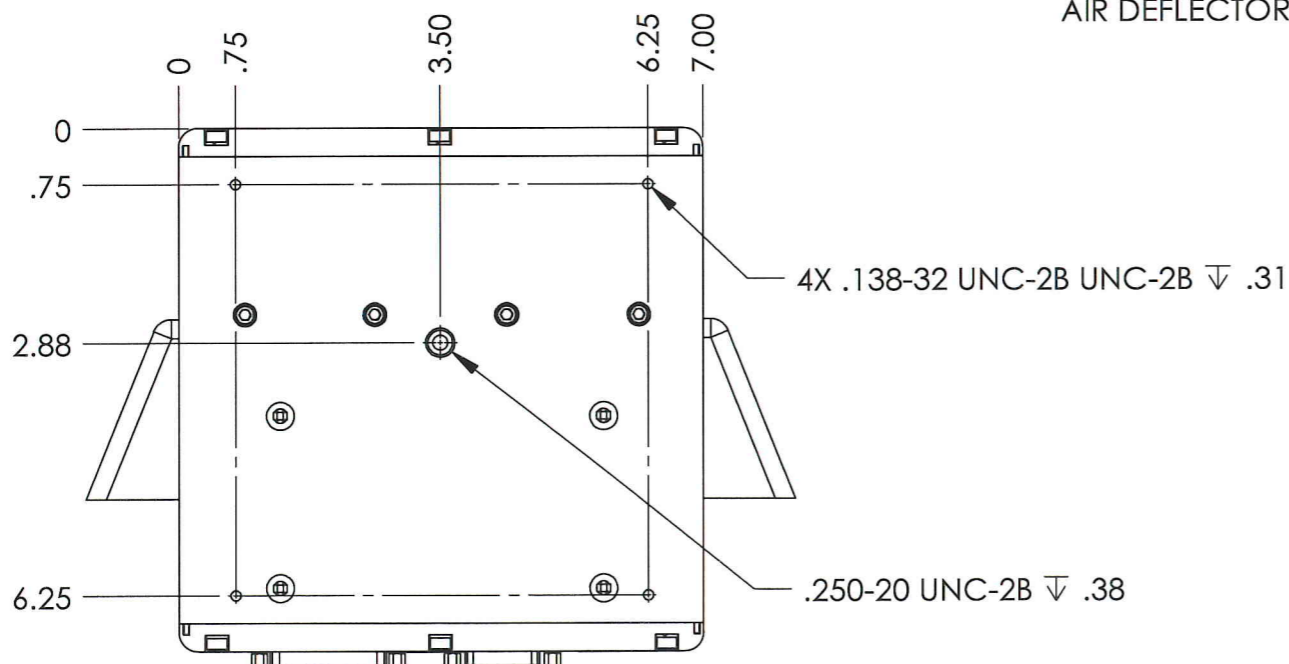


SIDE EXHAUST
AIR DEFLECTORS

I-PROBE
TEMPERATURE SENSOR
CONNECTOR

PERIPHERAL
CONNECTOR
(26 SOCKET HD D-SUB)

CONTROLLER
CONNECTOR
(44 PIN HD D-SUB)



PROBE ACCESS COVER

FOLDING HANDLE

VIEW A-A

TITLE				
DOC, OUTLINE, 4 INCH INFINITY BLACKBODY				
SCALE	NUMBER	SHEET	OF	REV
2:5	319-000-028	2	2	A

